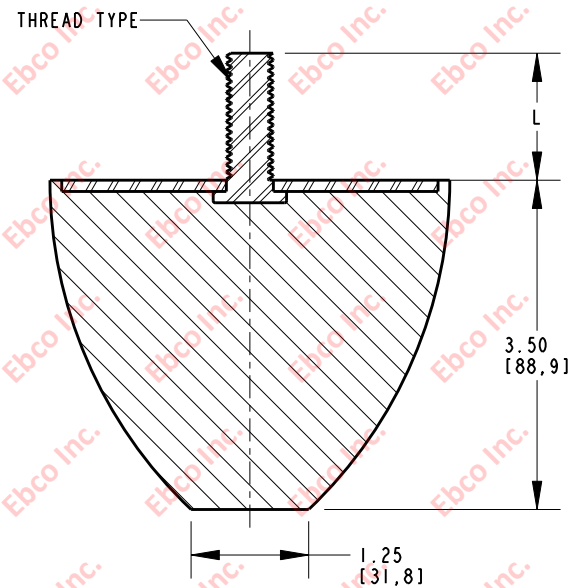
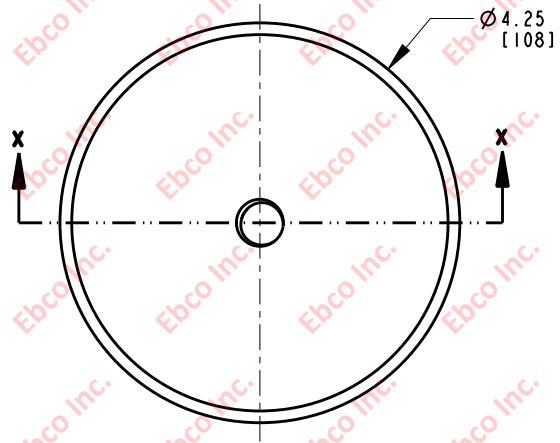


1090



HARDWARE SPECIFICATIONS

PART NO.	THREAD TYPE	L
1090-XX-JS	1/2-13	1.35 [34,3]

AXIAL COMPRESSION SPECIFICATIONS

PART NUMBER		MAX. RECOMMENDED STATIC LOAD		REFERENCE STIFFNESS	
NATURAL RUBBER	NEOPRENE	lb	N	lb/in	N/mm
1090-76-XX	1090-86-XX	500	2224	1430	250
1090-79-XX	1090-89-XX	700	3114	2000	350



TITLE: 1090	
THE INFORMATION CONTAINED IN THIS DRAWING IS THE SOLE PROPERTY OF EBCO. ANY REPRODUCTION IN PART OR AS A WHOLE WITHOUT THE WRITTEN PERMISSION OF EBCO IS PROHIBITED.	
TOLERANCES PER RMA STANDARD A3	REV. A
DATE: 06-18-12	UNITS: INCH [MM]
1330 HOLMES RD. ELGIN, IL 60123	