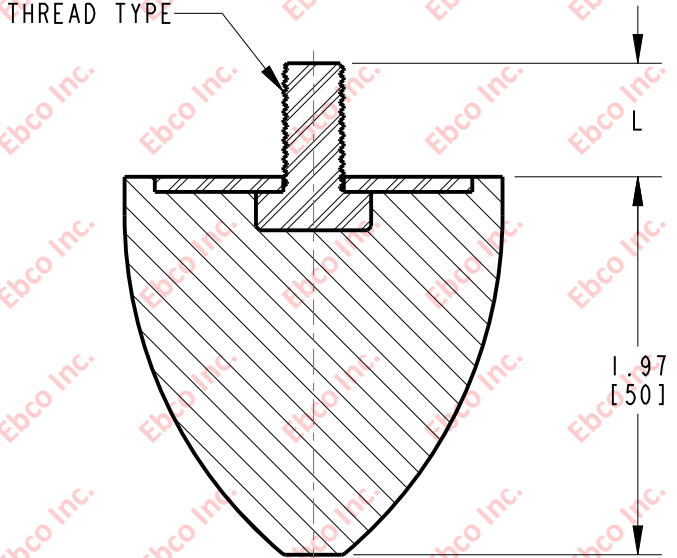
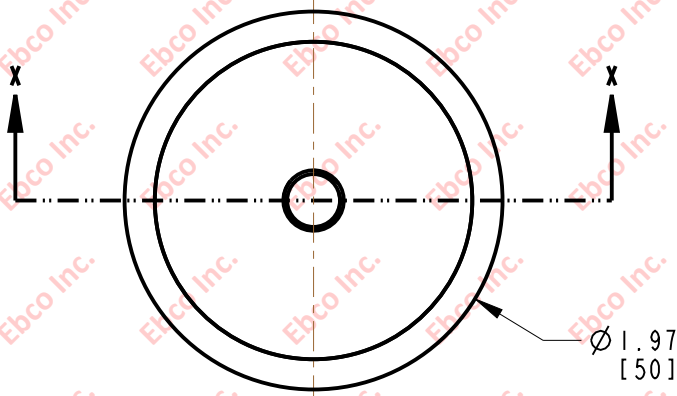


1064



HARDWARE SPECIFICATIONS

PART NO.	THREAD TYPE	L
1064-XX-P4	M8 X 1.25	0.55 [14]

AXIAL COMPRESSION SPECIFICATIONS

PART NUMBER			MAX. RECOMMENDED STATIC LOAD		REFERENCE STIFFNESS	
NATURAL RUBBER	NEOPRENE	NBR	lb	N	lb/in	N/mm
1064-75-XX	1064-85-XX	1064-55-XX	160	712	320	56



TITLE: 1064		
THE INFORMATION CONTAINED IN THIS DRAWING IS THE SOLE PROPERTY OF EBCO. ANY REPRODUCTION IN PART OR AS A WHOLE WITHOUT THE WRITTEN PERMISSION OF EBCO IS PROHIBITED.		
TOLERANCES PER RMA STANDARD A3	REV. B	DATE: 03-24-16
		UNITS: INCH [MM]
1330 HOLMES RD. ELGIN, IL 60123		

SPECIFICATIONS SUBJECT TO CHANGE