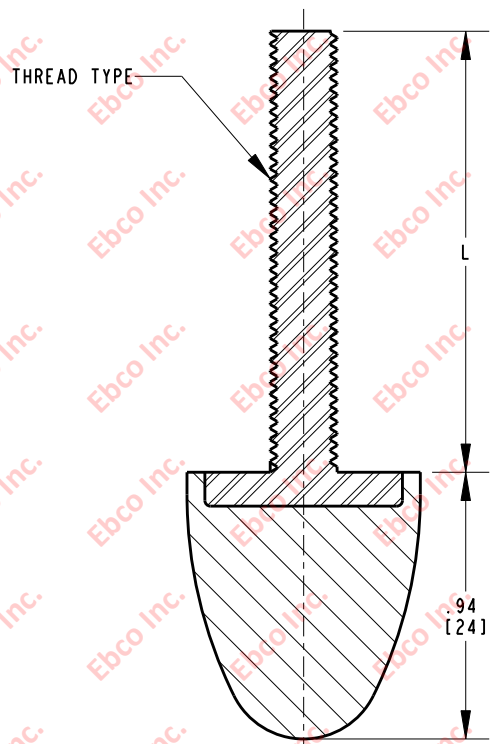
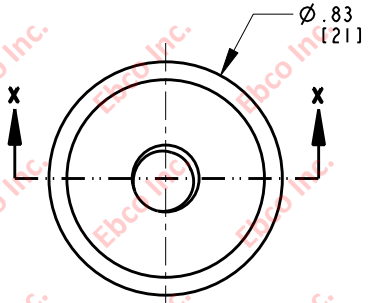


1062



HARDWARE SPECIFICATIONS

PART NO.	THREAD TYPE	L
1062-XX-N14	M6X1	1.56 [39, 7]

AXIAL COMPRESSION SPECIFICATIONS

PART NUMBER		MAX. RECOMMENDED STATIC LOAD		REFERENCE STIFFNESS	
NATURAL RUBBER	NEOPRENE	lb	N	lb/in	N/mm
1062-79-XX	1062-89-XX	60	267	500	88



TITLE: 1062	
THE INFORMATION CONTAINED IN THIS DRAWING IS THE SOLE PROPERTY OF EBCO. ANY REPRODUCTION IN PART OR AS A WHOLE WITHOUT THE WRITTEN PERMISSION OF EBCO IS PROHIBITED.	
TOLERANCES PER RMA STANDARD A3	REV. A
DATE: 06-18-12	UNITS: INCH [MM]
1330 HOLMES RD. ELGIN, IL 60123	