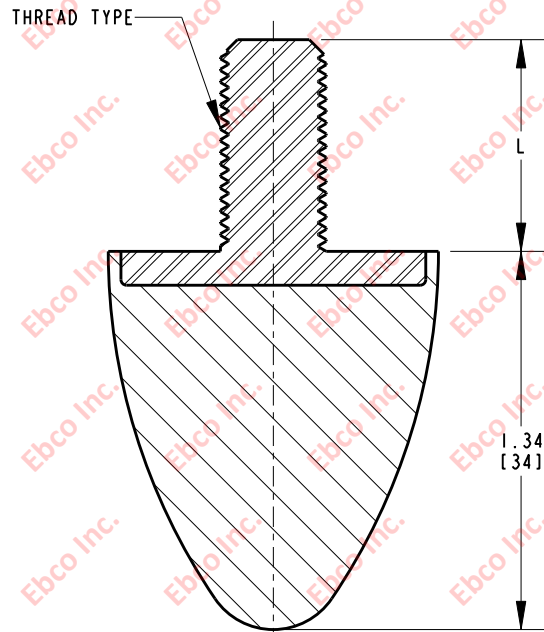
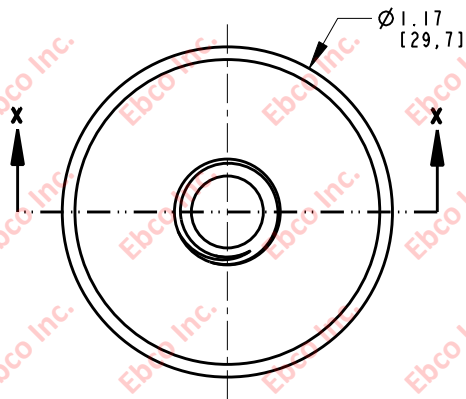


1061

2



**HARDWARE SPECIFICATIONS**

PART NO.	THREAD TYPE	L
1061-XX-F6	5/16-18	.75 [19,1]

**AXIAL COMPRESSION SPECIFICATIONS**

PART NUMBER		MAX. RECOMMENDED STATIC LOAD		REFERENCE STIFFNESS	
NATURAL RUBBER	NEOPRENE	lb	N	lb/in	N/mm
1061-75-XX	1061-85-XX	20	89	135	24
1061-76-XX	1061-86-XX	35	156	235	41



TITLE: 1061	
<small>THE INFORMATION CONTAINED IN THIS DRAWING IS THE SOLE PROPERTY OF EBCO. ANY REPRODUCTION IN PART OR AS A WHOLE WITHOUT THE WRITTEN PERMISSION OF EBCO IS PROHIBITED.</small>	
TOLERANCES PER RMA STANDARD A3	REV. A
DATE: 06-18-12	UNITS: INCH [MM]
1330 HOLMES RD. ELGIN, IL 60123	

2