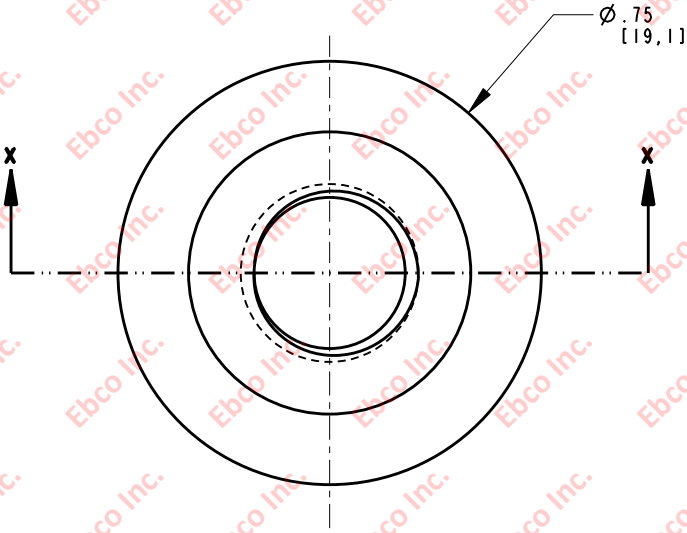


1042

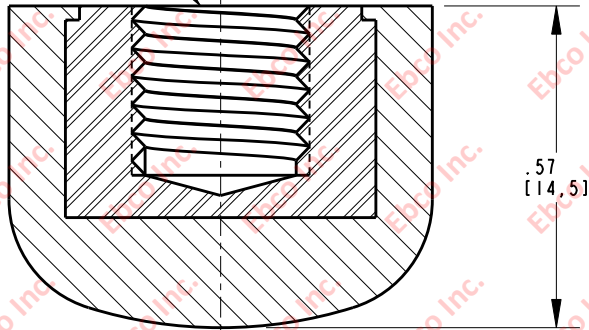
DWG. NO.

B

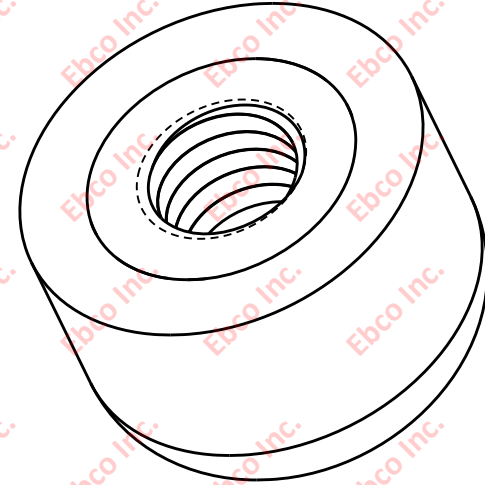
A



THREAD TYPE



SECTION X-X



SCALE 3.000

B

A

\*AVAILABLE IN A VARIETY OF MATERIALS, HARDWARE, AND STIFFNESS



TITLE: 1042	
THE INFORMATION CONTAINED IN THIS DRAWING IS THE SOLE PROPERTY OF EBSCO. ANY REPRODUCTION IN PART OR AS A WHOLE WITHOUT THE WRITTEN PERMISSION OF EBSCO IS PROHIBITED.	
TOLERANCES PER RMA STANDARD A3	REV. A
DATE: 06-18-12	UNITS: INCH [MM]
1330 HOLMES RD. ELGIN, IL 60123	