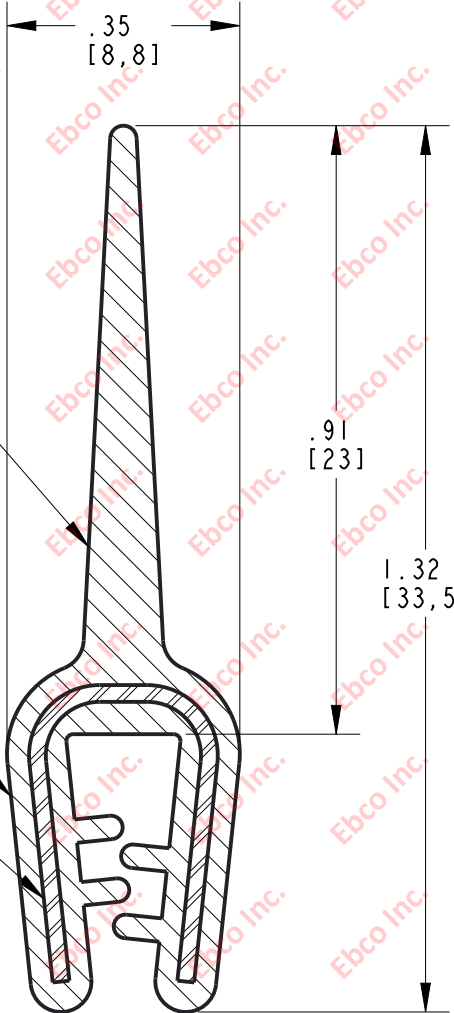


MC9200

WIPER SEAL

EDGE TRIM

METAL CARRIER



EDGE TRIM: DENSE EPDM  
 WIPER SEAL: DENSE EPDM  
 METAL CARRIER: STEEL



TITLE: MC9200		
THE INFORMATION CONTAINED IN THIS DRAWING IS THE SOLE PROPERTY OF EBCO ANY REPRODUCTION IN PART OR AS A WHOLE WITHOUT THE WRITTEN PERMISSION OF EBCO IS PROHIBITED.		
TOLERANCES PER RMA STANDARD E3	REV. A	DATE: 07-01-20
		UNITS: INCH [MM]
1330 HOLMES RD. ELGIN, IL 60123		

SPECIFICATIONS SUBJECT TO CHANGE