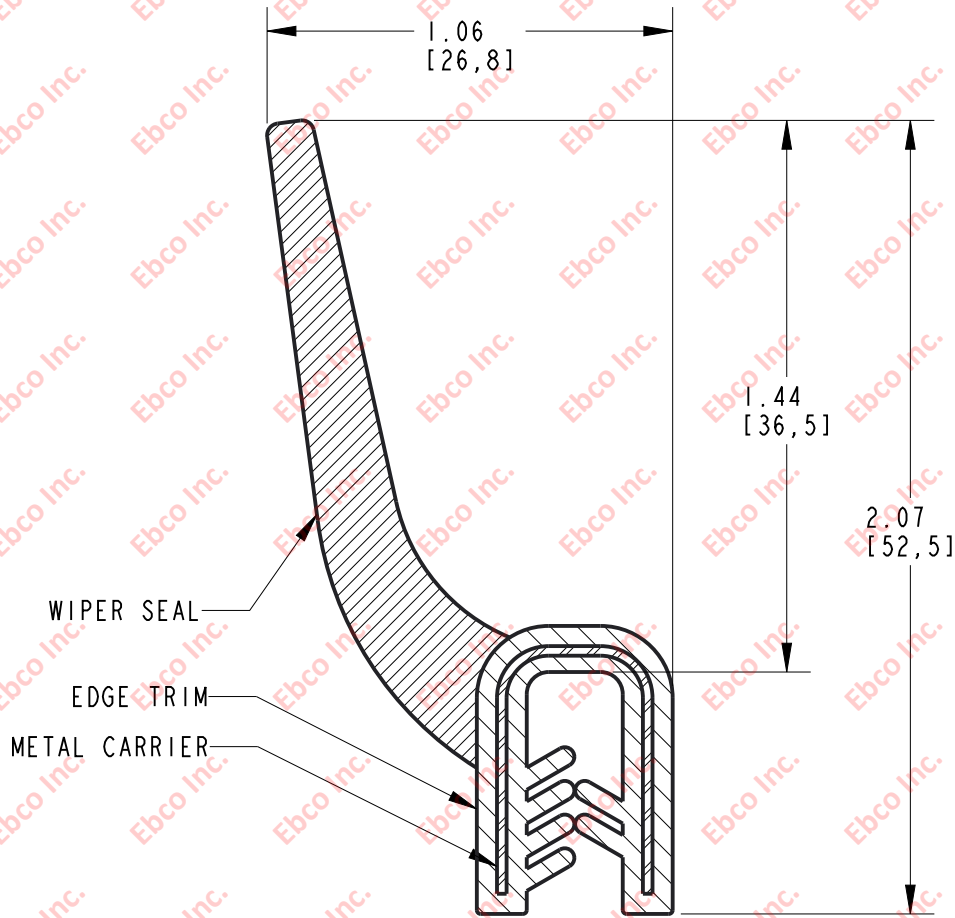


MC9010



EDGE TRIM: DENSE EPDM
WIPER SEAL: SPONGE EPDM
METAL CARRIER: STEEL



TITLE: MC9010		
THE INFORMATION CONTAINED IN THIS DRAWING IS THE SOLE PROPERTY OF EBCO. ANY REPRODUCTION IN PART OR AS A WHOLE WITHOUT THE WRITTEN PERMISSION OF EBCO IS PROHIBITED.		
TOLERANCES PER RMA STANDARD E3 & BEC2	REV. A	DATE: 06-19-20
		UNITS: INCH [MM]

1330 HOLMES RD. ELGIN, IL 60123

SPECIFICATIONS SUBJECT TO CHANGE