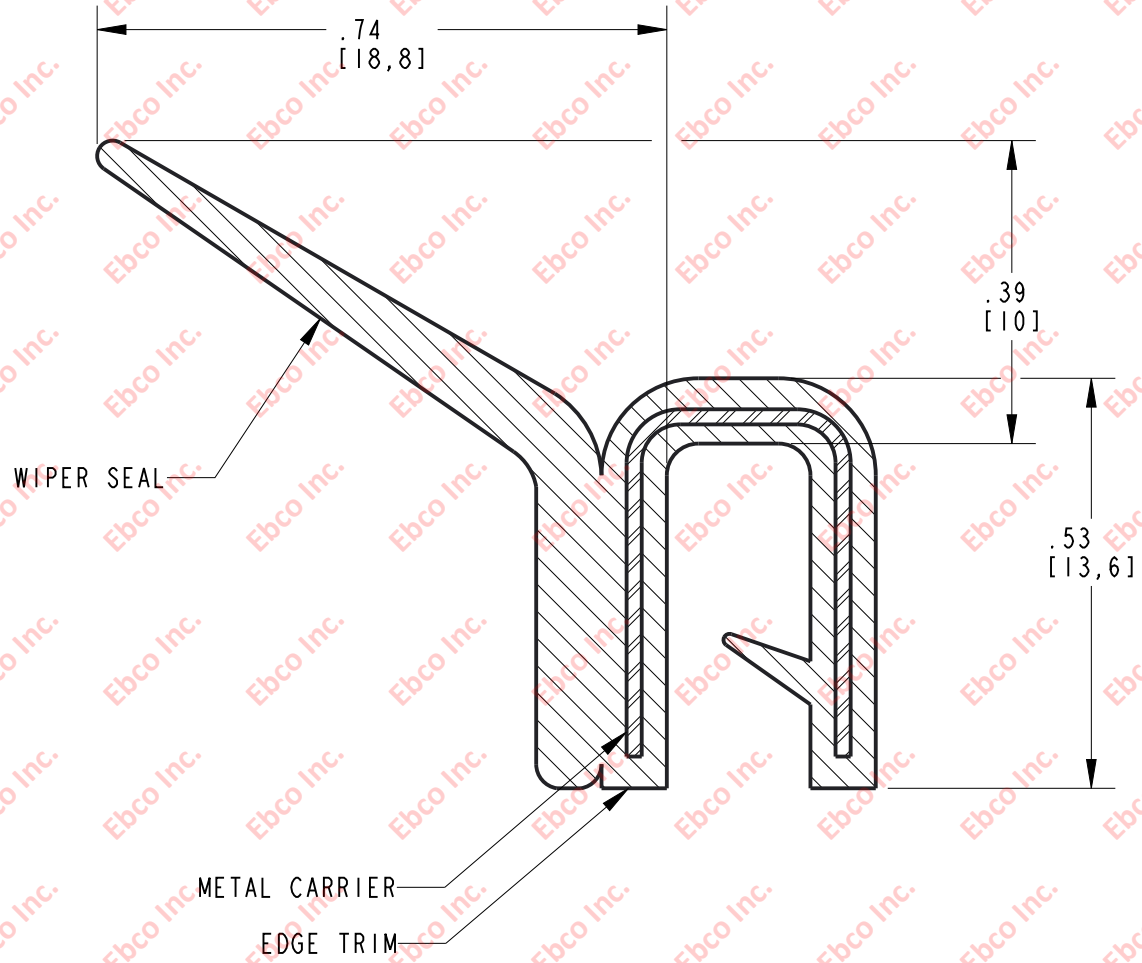


MC710

DWG. NO.

B

A



CLAMPING RANGE: .09 [2.27] - .16 [3.98]  
 EDGE TRIM: DENSE EPDM  
 WIPER SEAL: DENSE EPDM  
 METAL CARRIER: STEEL



TITLE: MC710		
THE INFORMATION CONTAINED IN THIS DRAWING IS THE SOLE PROPERTY OF EBCO. ANY REPRODUCTION IN PART OR AS A WHOLE WITHOUT THE WRITTEN PERMISSION OF EBCO IS PROHIBITED.		
TOLERANCES PER RMA STANDARD E3	REV. A	DATE: 10-17-19
		UNITS: INCH [MM]

1330 HOLMES RD. ELGIN, IL 60123

SPECIFICATIONS SUBJECT TO CHANGE

2