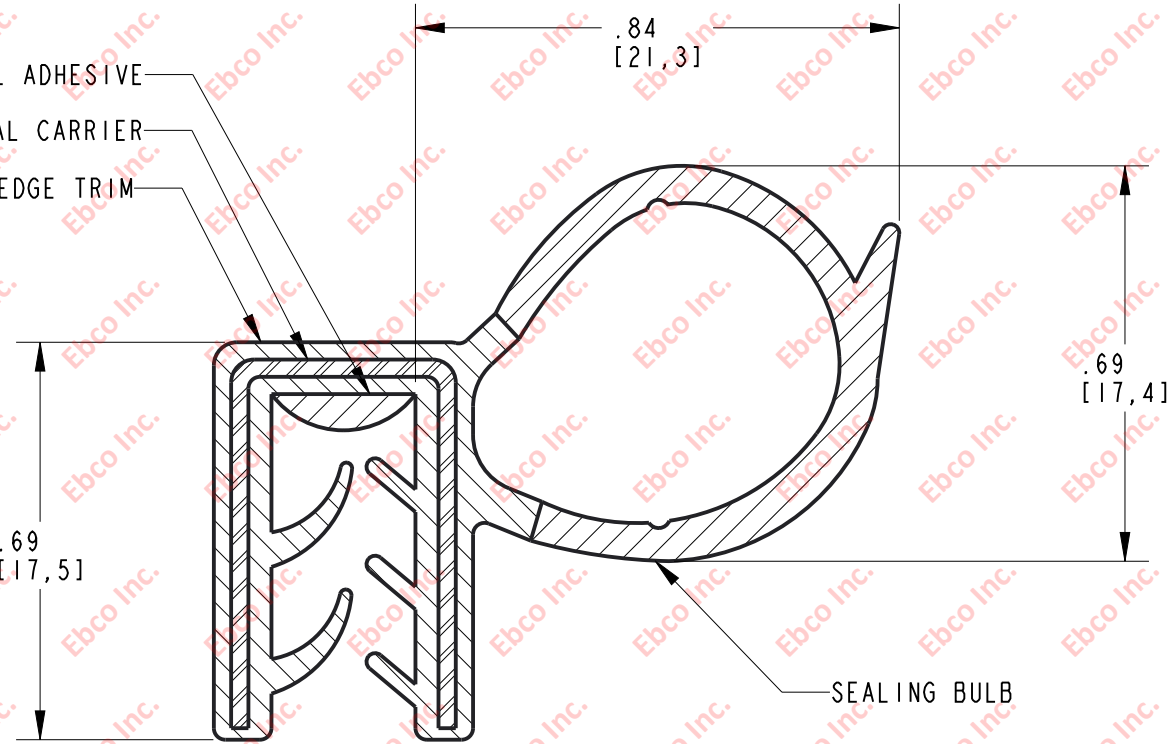


MC5172

BUTYL ADHESIVE  
METAL CARRIER  
EDGE TRIM



SEALING BULB

CLAMPING RANGE: .02 [ .60 ] - .12 [ 2.98 ]  
EDGE TRIM: DENSE EPDM  
SEALING BULB: SPONGE EPDM  
METAL CARRIER: STEEL



TITLE: MC5172		
THE INFORMATION CONTAINED IN THIS DRAWING IS THE SOLE PROPERTY OF EBCO ANY REPRODUCTION IN PART OR AS A WHOLE WITHOUT THE WRITTEN PERMISSION OF EBCO IS PROHIBITED.		
TOLERANCES PER RMA STANDARD E3 & BEC2	REV. A	DATE: 06-01-17 UNITS: INCH [MM]

1330 HOLMES RD. ELGIN, IL 60123

SPECIFICATIONS SUBJECT TO CHANGE