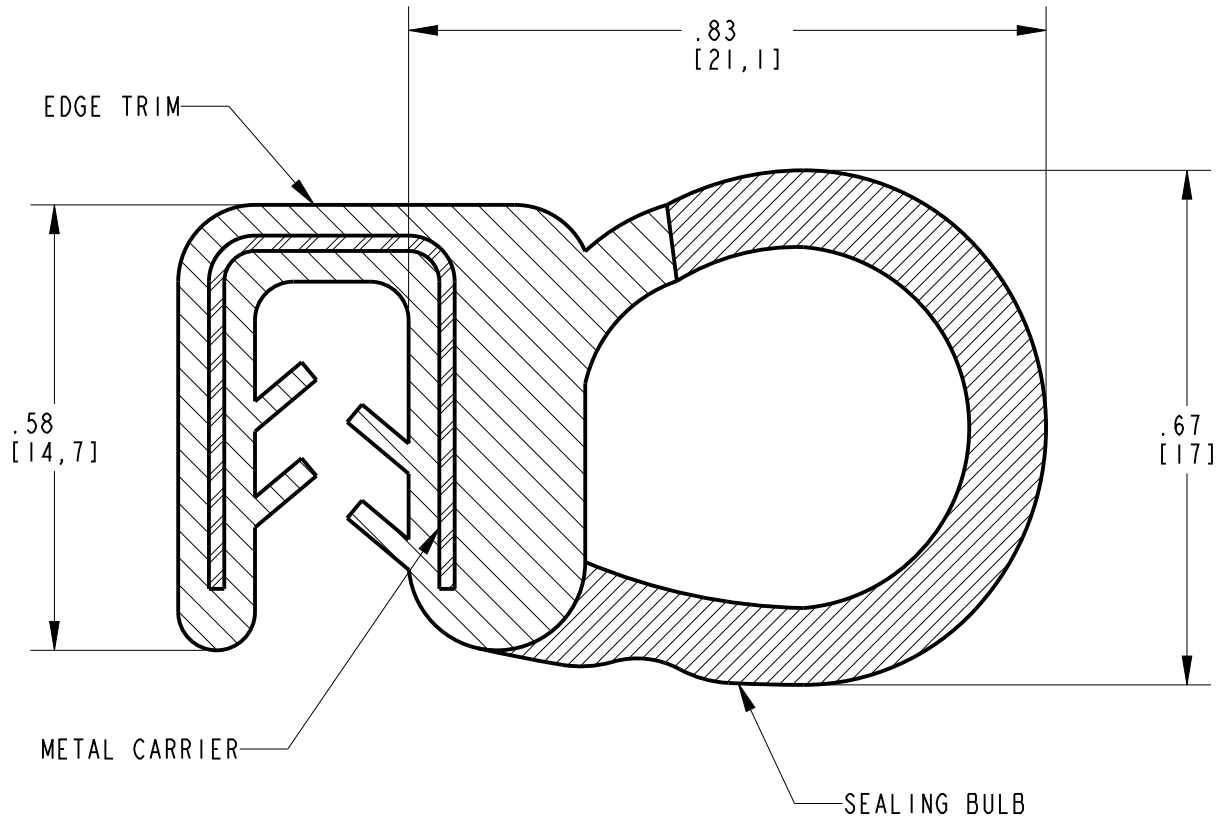



MC5156

DWG. NO.



CLAMPING RANGE: .07 [1,85] - .16 [3,96]  
 EDGE TRIM: DENSE EPDM  
 SEALING BULB: SPONGE EPDM  
 METAL CARRIER: STEEL

	TITLE: MC5156	
	<small>THE INFORMATION CONTAINED IN THIS DRAWING IS THE SOLE PROPERTY OF EBCO ANY REPRODUCTION IN PART OR AS A WHOLE WITHOUT THE WRITTEN PERMISSION OF EBCO IS PROHIBITED.</small>	
	TOLERANCES PER RMA STANDARD E3 & BEC2	REV. A
1330 HOLMES RD. ELGIN, IL 60123		
SPECIFICATIONS SUBJECT TO CHANGE		