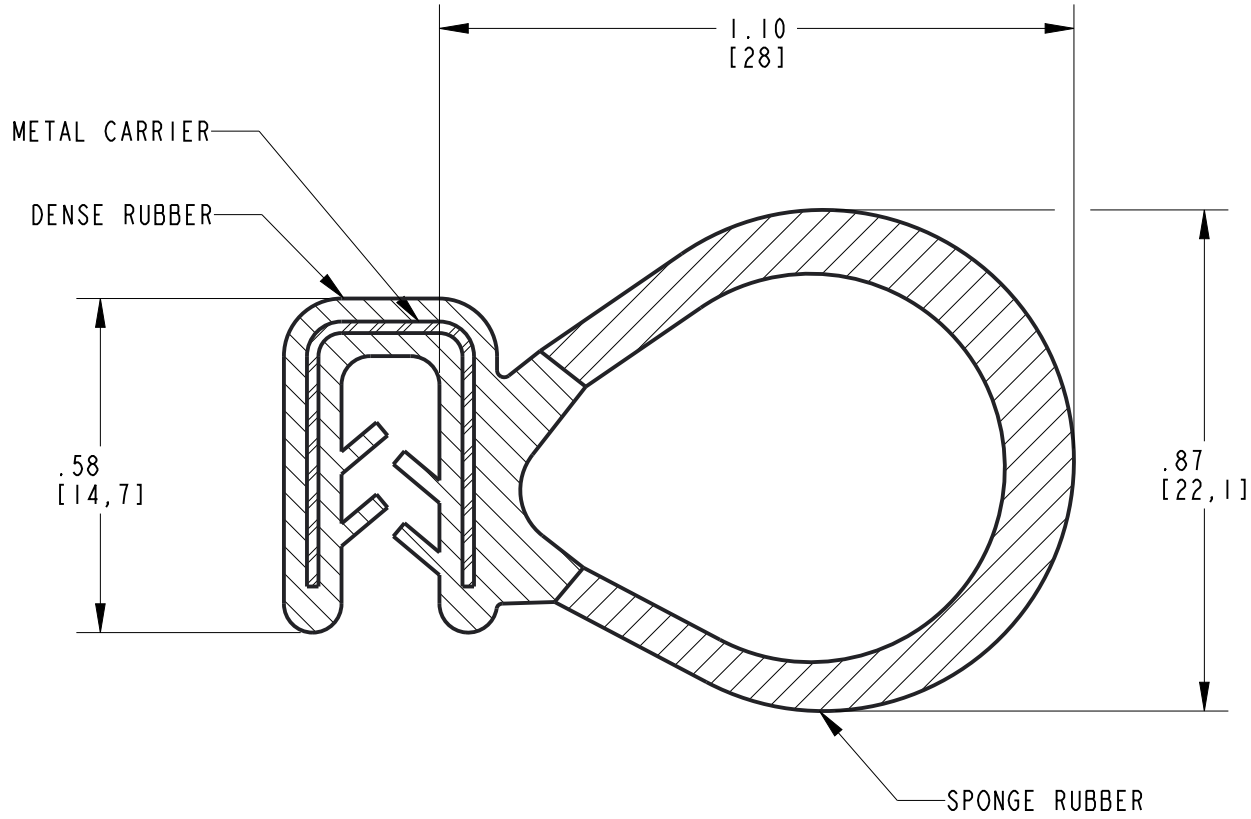



MC5112

DWG. NO.



CLAMPING RANGE: .07 [1.85] - .16 [3.96]
 EDGE TRIM: DENSE EPDM
 SEALING BULB: SPONGE EPDM
 METAL CARRIER: STEEL

	TITLE: MC5112	
	<small>THE INFORMATION CONTAINED IN THIS DRAWING IS THE SOLE PROPERTY OF EBCO ANY REPRODUCTION IN PART OR AS A WHOLE WITHOUT THE WRITTEN PERMISSION OF EBCO IS PROHIBITED.</small>	
	TOLERANCES PER RMA STANDARD E3 & BEC2	REV. B
	DATE: 07-31-17	UNITS: INCH [MM]
1330 HOLMES RD. ELGIN, IL 60123		SPECIFICATIONS SUBJECT TO CHANGE