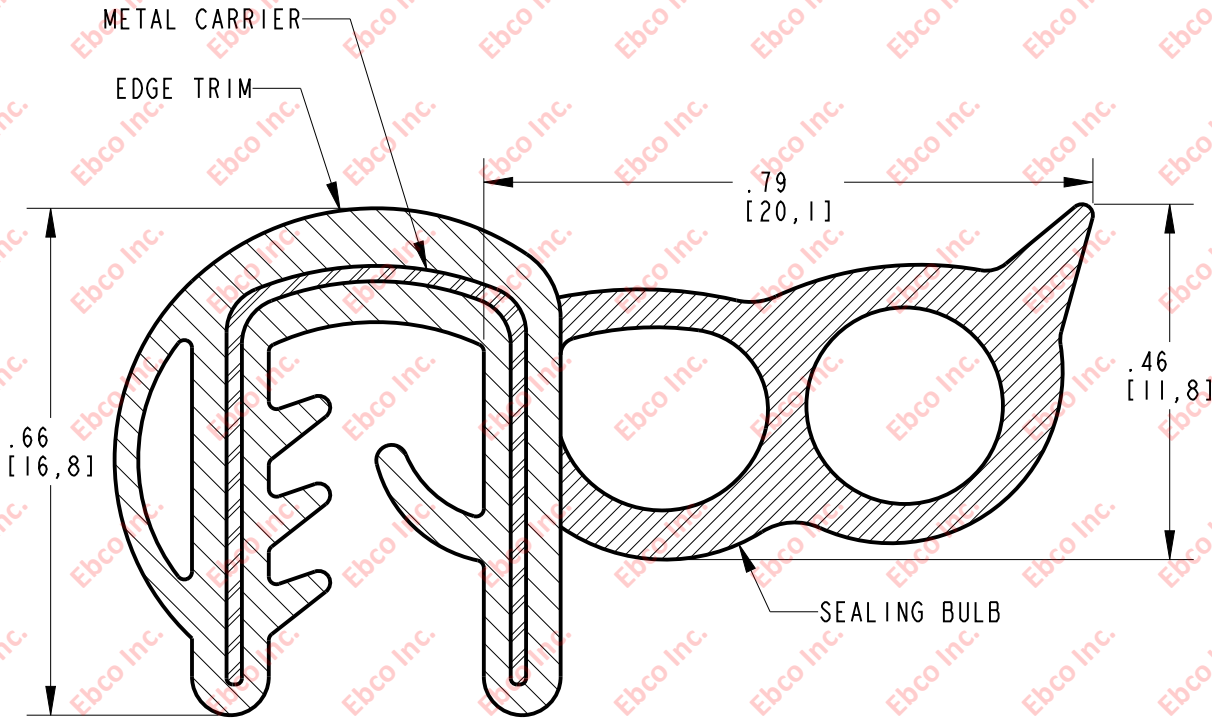



MC5035

DWG. NO.



CLAMPING RANGE: .12 [3.16] - .18 [4.68]
 EDGE TRIM: DENSE EPDM
 SEALING BULB: SPONGE EPDM
 METAL CARRIER: STEEL

	TITLE: MC5035		
	<small>THE INFORMATION CONTAINED IN THIS DRAWING IS THE SOLE PROPERTY OF EBCO. ANY REPRODUCTION IN PART OR AS A WHOLE WITHOUT THE WRITTEN PERMISSION OF EBCO IS PROHIBITED.</small>		
	TOLERANCES PER RMA STANDARD E3 & BEC2	REV. B	DATE: 07-13-20 UNITS: INCH [MM]
	1330 HOLMES RD. ELGIN, IL 60123 SPECIFICATIONS SUBJECT TO CHANGE		