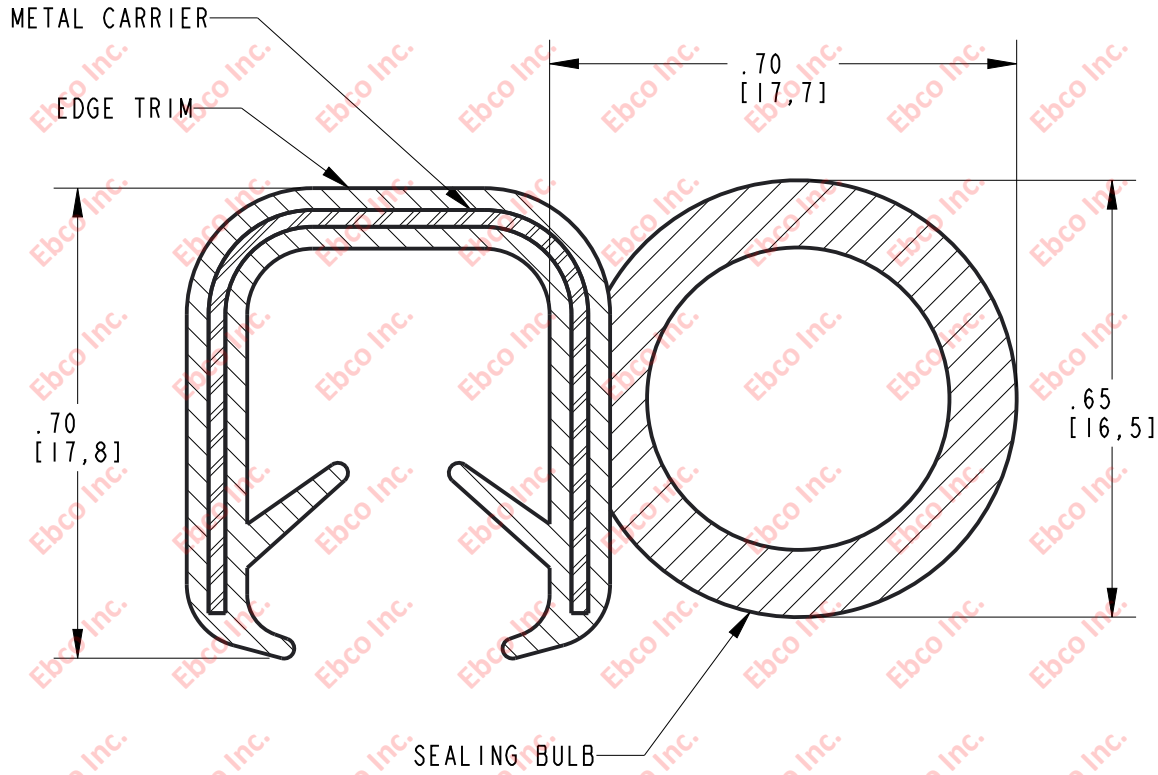


MC300

DWG. NO.



CLAMPING RANGE: .37 [9.43]  
 EDGE TRIM: DENSE EPDM  
 SEALING BULB: SPONGE EPDM  
 METAL CARRIER: STEEL



|   |        |                  |
|---|--------|------------------|
| TITLE: MC300  |        |                  |
| THE INFORMATION CONTAINED IN THIS DRAWING IS THE SOLE PROPERTY OF EBCO ANY REPRODUCTION IN PART OR AS A WHOLE WITHOUT THE WRITTEN PERMISSION OF EBCO IS PROHIBITED. |        |                  |
| TOLERANCES PER RMA STANDARD E3 & BEC2   | REV. A | DATE: 06-01-17   |
|   |        | UNITS: INCH [MM] |
| 1330 HOLMES RD. ELGIN, IL 60123   |        |                  |
| SPECIFICATIONS SUBJECT TO CHANGE  |        |                  |