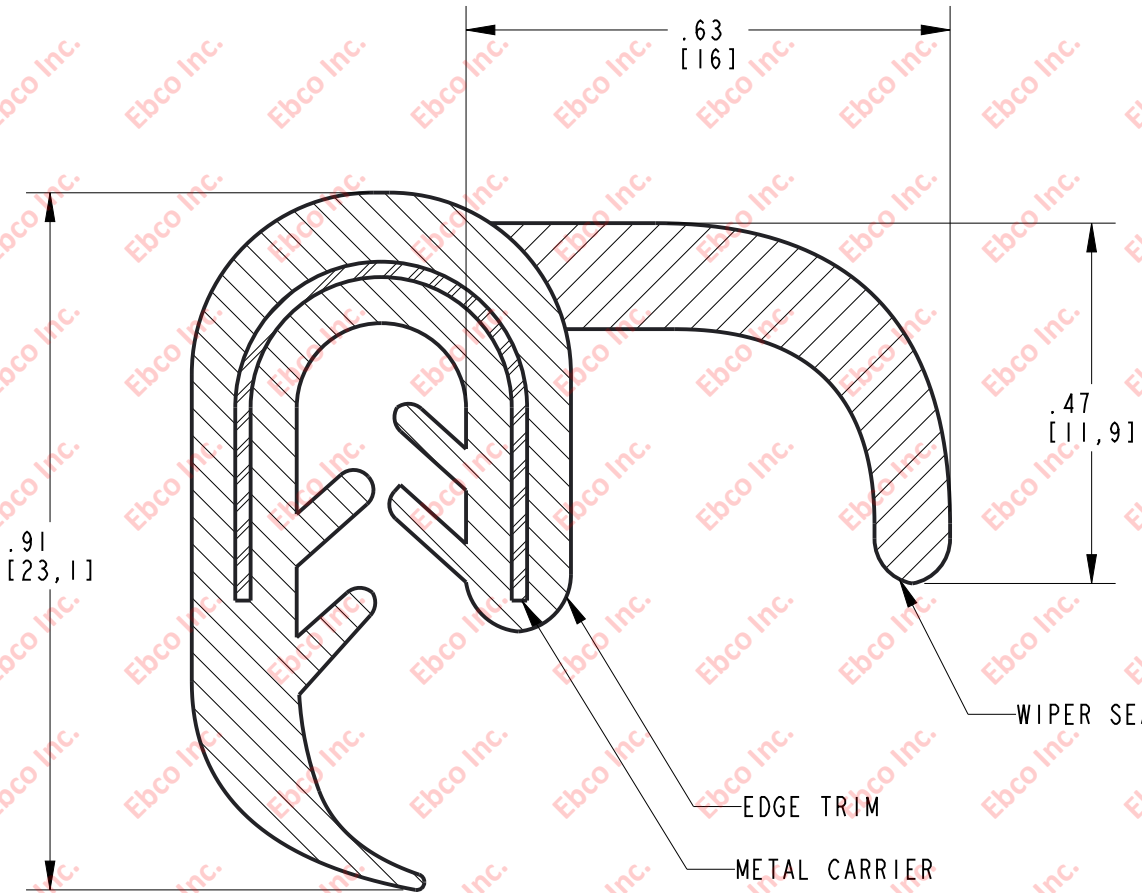


MC3000

DRG. NO.

B

A



CLAMPING RANGE: $.05$ [1.17] - $.12$ [3.16]
 EDGE TRIM: DENSE EPDM
 WIPER SEAL: SPONGE EPDM
 METAL CARRIER: STEEL



TITLE: MC3000		
THE INFORMATION CONTAINED IN THIS DRAWING IS THE SOLE PROPERTY OF EBCO. ANY REPRODUCTION IN PART OR AS A WHOLE WITHOUT THE WRITTEN PERMISSION OF EBCO IS PROHIBITED.		
TOLERANCES PER RMA STANDARD E3 & BEC2	REV. A	DATE: 07-31-17
		UNITS INCH [MM]
1330 HOLMES RD. ELGIN, IL 60123		

SPECIFICATIONS SUBJECT TO CHANGE

2