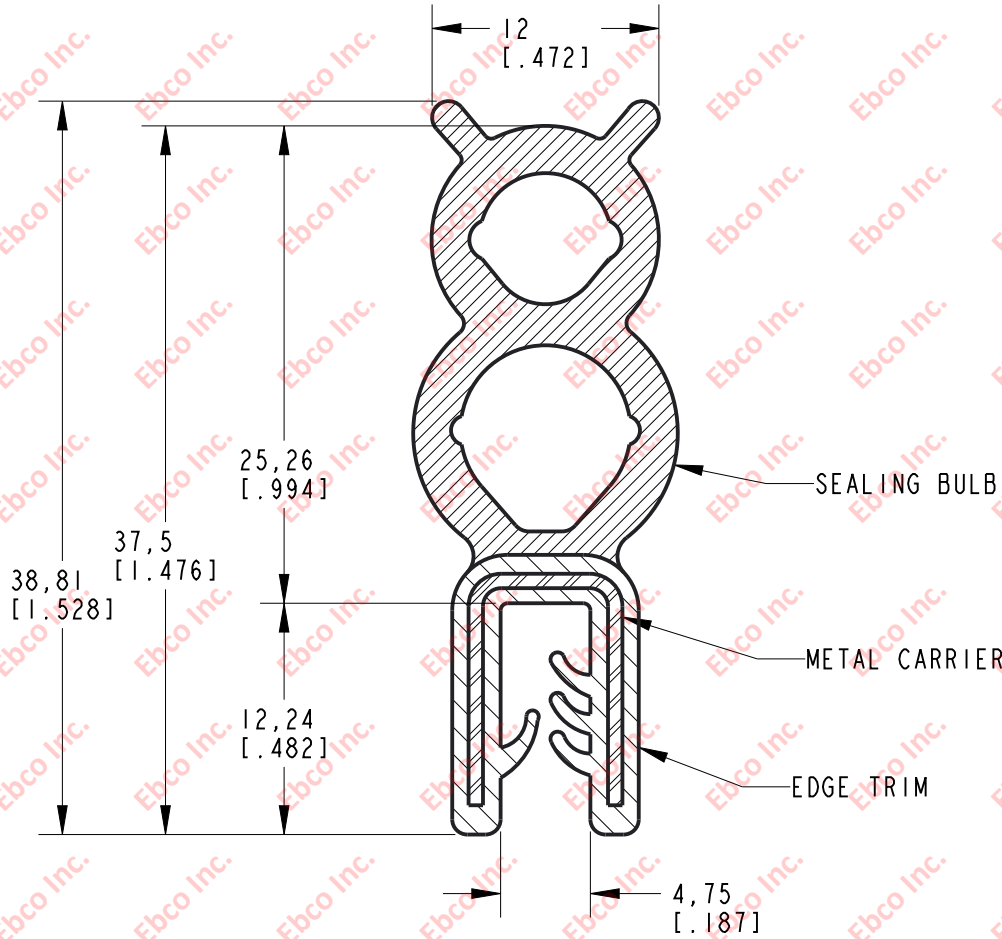


MC1200

DRG. NO.

B

A



CLAMPING RANGE: 0.85 [0.033] - 2.98 [0.117]  
 EDGE TRIM: DENSE EPDM  
 SEALING BULB: SPONGE EPDM  
 METAL CARRIER: STEEL



TITLE: MC1200		
THE INFORMATION CONTAINED IN THIS DRAWING IS THE SOLE PROPERTY OF EBCO. ANY REPRODUCTION IN PART OR AS A WHOLE WITHOUT THE WRITTEN PERMISSION OF EBCO IS PROHIBITED.		
TOLERANCES PER RMA STANDARD BEC2	REV. A	DATE: 10-17-22
		UNITS: mm [ INCH ]

1330 HOLMES RD. ELGIN, IL 60123

SPECIFICATIONS SUBJECT TO CHANGE

2

B

A