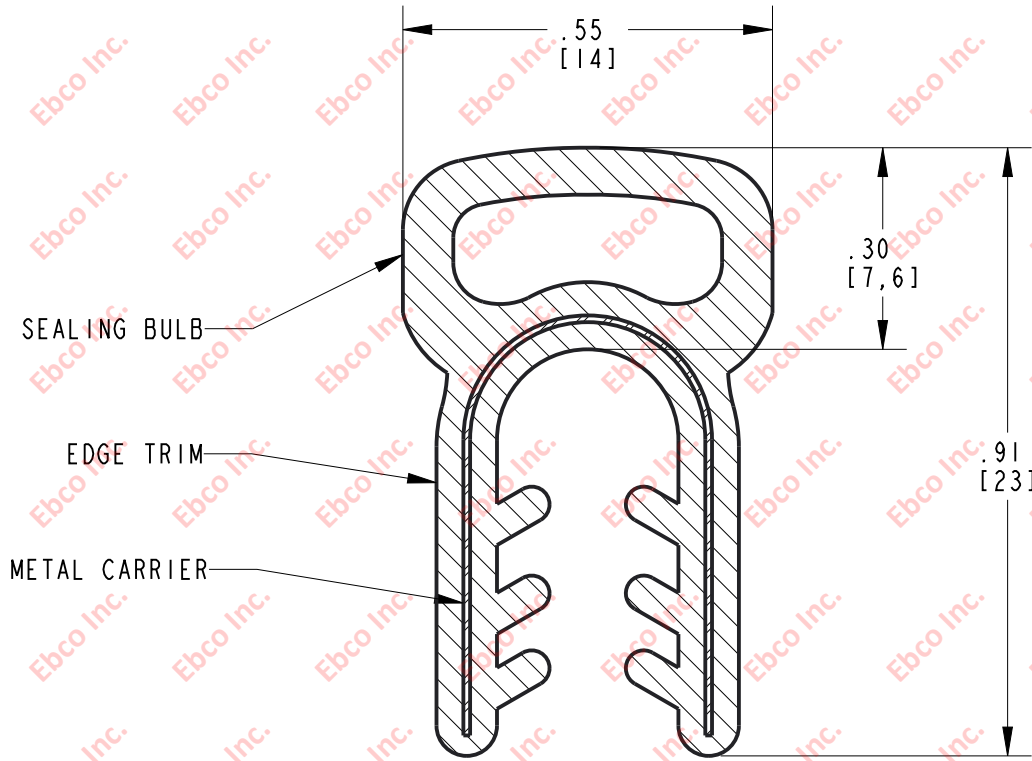



MC1032



CLAMPING RANGE: .12 [2.98] - .16 [3.96]  
 EDGE TRIM: DENSE EPDM  
 SEALING BULB: DENSE EPDM  
 METAL CARRIER: STEEL

	TITLE: MC1032	
	<small>THE INFORMATION CONTAINED IN THIS DRAWING IS THE SOLE PROPERTY OF EBCO ANY REPRODUCTION IN PART OR AS A WHOLE WITHOUT THE WRITTEN PERMISSION OF EBCO IS PROHIBITED.</small>	
	TOLERANCES PER RMA STANDARD E3	REV. <b>C</b> DATE: 09-20-18 UNITS: INCH [MM]
	1330 HOLMES RD. ELGIN, IL 60123	

SPECIFICATIONS SUBJECT TO CHANGE