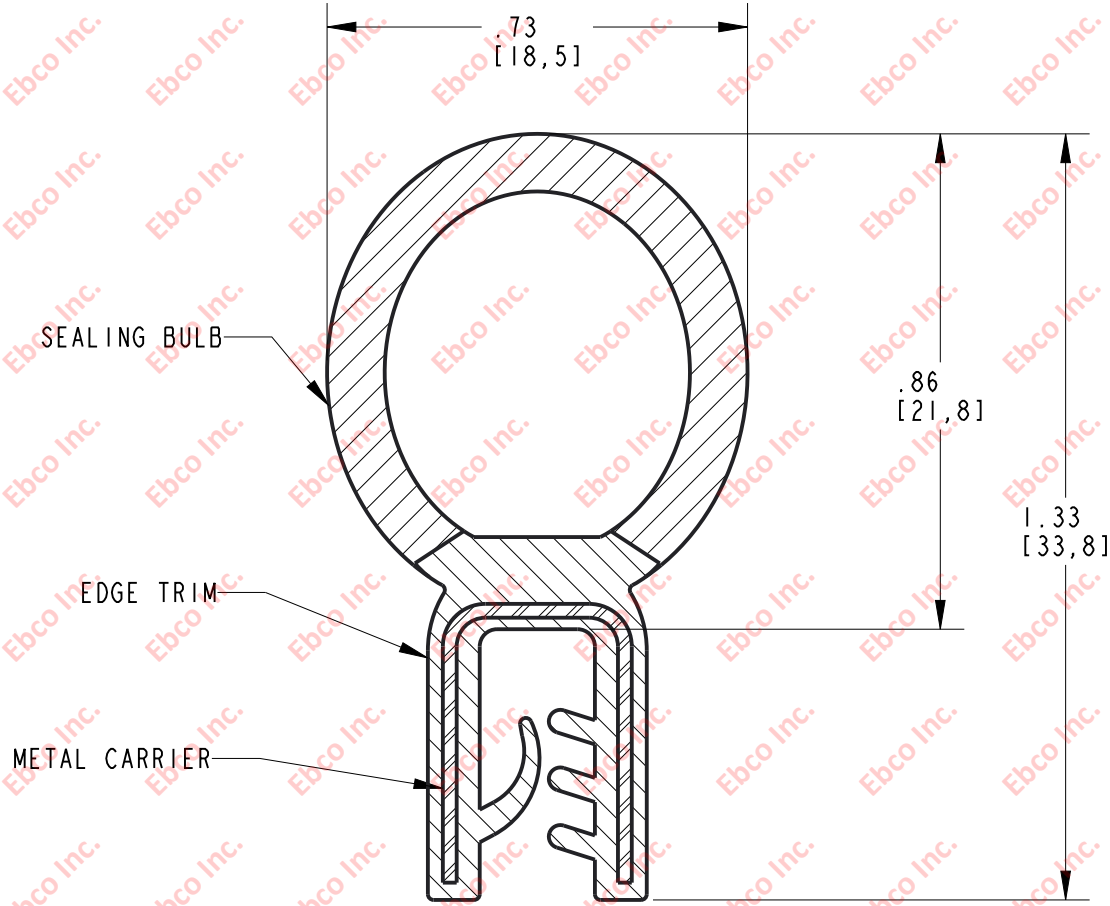


MC1021


DRG. NO.

B

A



CLAMPING RANGE: .09 [2.27] - .12 [3.16]  
 EDGE TRIM: DENSE EPDM  
 SEALING BULB: SPONGE EPDM  
 METAL CARRIER: STEEL

	TITLE: MC1021	
	<small>THE INFORMATION CONTAINED IN THIS DRAWING IS THE SOLE PROPERTY OF EBCO. ANY REPRODUCTION IN PART OR AS A WHOLE WITHOUT THE WRITTEN PERMISSION OF EBCO IS PROHIBITED.</small>	
	TOLERANCES PER RMA STANDARD E3 & BEC2	REV. <b>B</b> DATE: 08-26-20 UNITS: INCH [MM]
	1330 HOLMES RD. ELGIN, IL 60123	

SPECIFICATIONS SUBJECT TO CHANGE

2