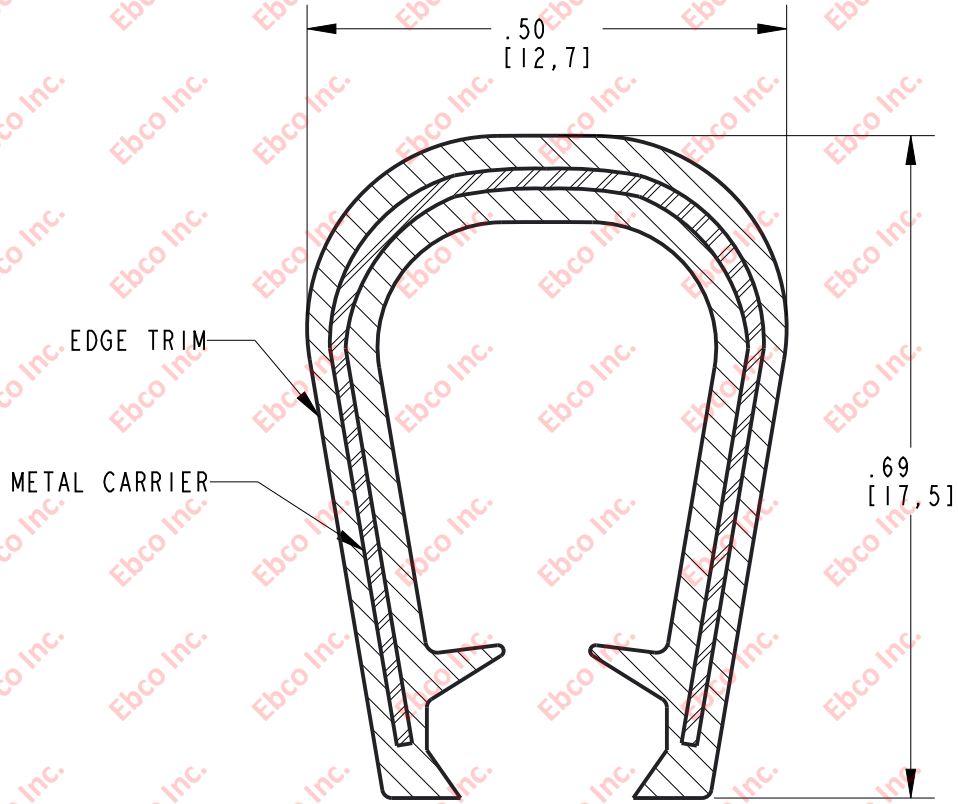



ET200



CLAMPING RANGE: .07 [1.85] - .18 [4.68]
 EDGE TRIM: DENSE EPDM
 METAL CARRIER: STEEL

	TITLE: ET200		
	<small>THE INFORMATION CONTAINED IN THIS DRAWING IS THE SOLE PROPERTY OF EBCO ANY REPRODUCTION IN PART OR AS A WHOLE WITHOUT THE WRITTEN PERMISSION OF EBCO IS PROHIBITED.</small>		
	TOLERANCES PER RMA STANDARD E3	REV. A	DATE: 06-05-17
	UNITS: INCH [MM]		
1330 HOLMES RD. ELGIN, IL 60123			
SPECIFICATIONS SUBJECT TO CHANGE			