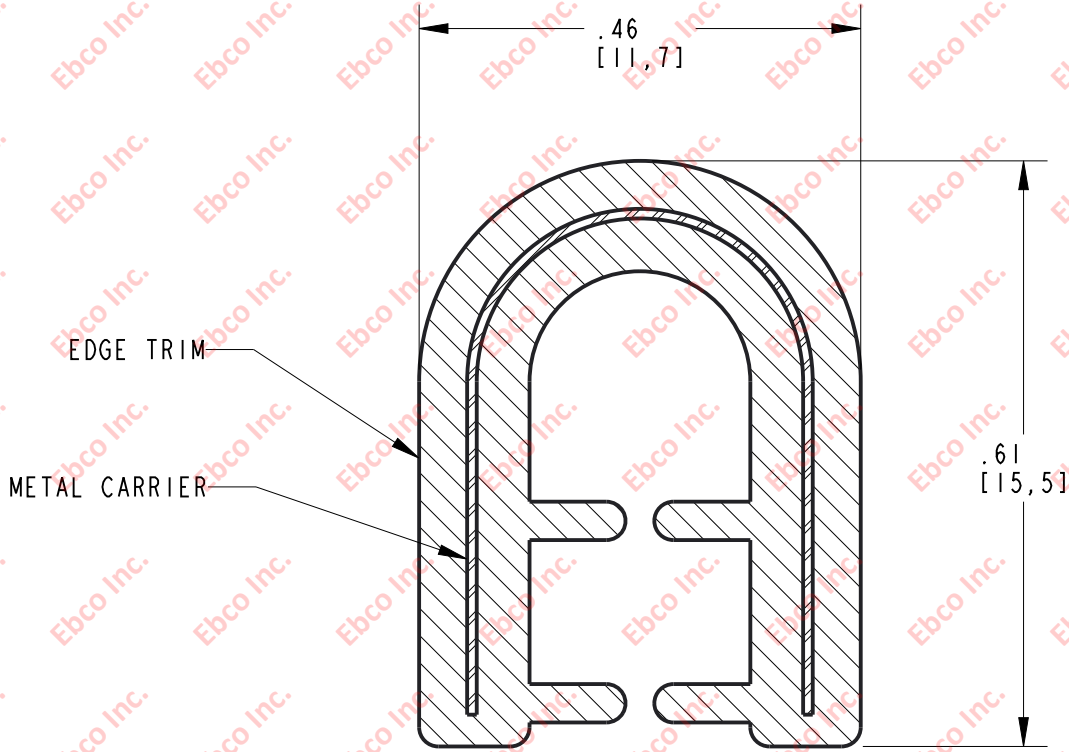


ET180

DWG. NO.



CLAMPING RANGE: .12 [2.98] - .16 [3.96]  
 EDGE TRIM: DENSE EPDM  
 METAL CARRIER: STEEL



TITLE: ET180		
THE INFORMATION CONTAINED IN THIS DRAWING IS THE SOLE PROPERTY OF EBCO ANY REPRODUCTION IN PART OR AS A WHOLE WITHOUT THE WRITTEN PERMISSION OF EBCO IS PROHIBITED.		
TOLERANCES PER RMA STANDARD E3	REV. A	DATE: 06-02-17
		UNITS INCH [MM]
1330 HOLMES RD. ELGIN, IL 60123		

SPECIFICATIONS SUBJECT TO CHANGE