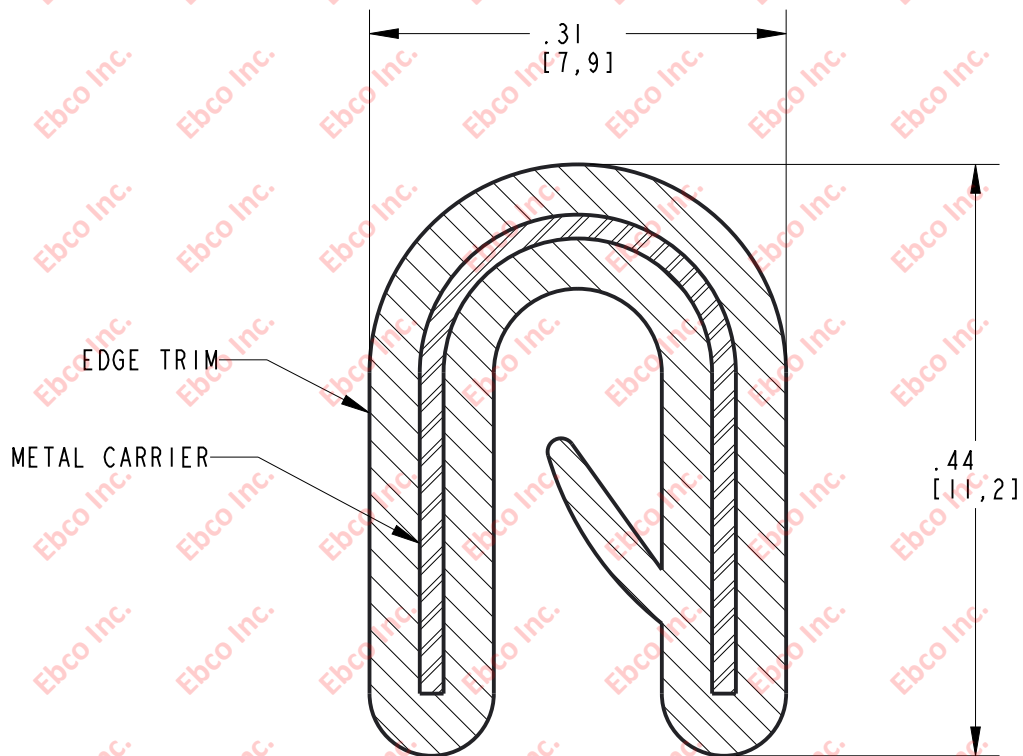


ET112

DRG NO.

B

A



CLAMPING RANGE: .06 [1.47] - .09 [2.39]
 EDGE TRIM: DENSE EPDM
 METAL CARRIER: STEEL



| | | |
|---|--------|-----------------|
| TITLE: ET112 | | |
| THE INFORMATION CONTAINED IN THIS DRAWING IS THE SOLE PROPERTY OF EBCO ANY REPRODUCTION IN PART OR AS A WHOLE WITHOUT THE WRITTEN PERMISSION OF EBCO IS PROHIBITED. | | |
| TOLERANCES PER RMA STANDARD E3 | REV. A | DATE: 08-07-17 |
| | | UNITS INCH [MM] |
| 1330 HOLMES RD. ELGIN, IL 60123 | | |
| SPECIFICATIONS SUBJECT TO CHANGE | | |

2