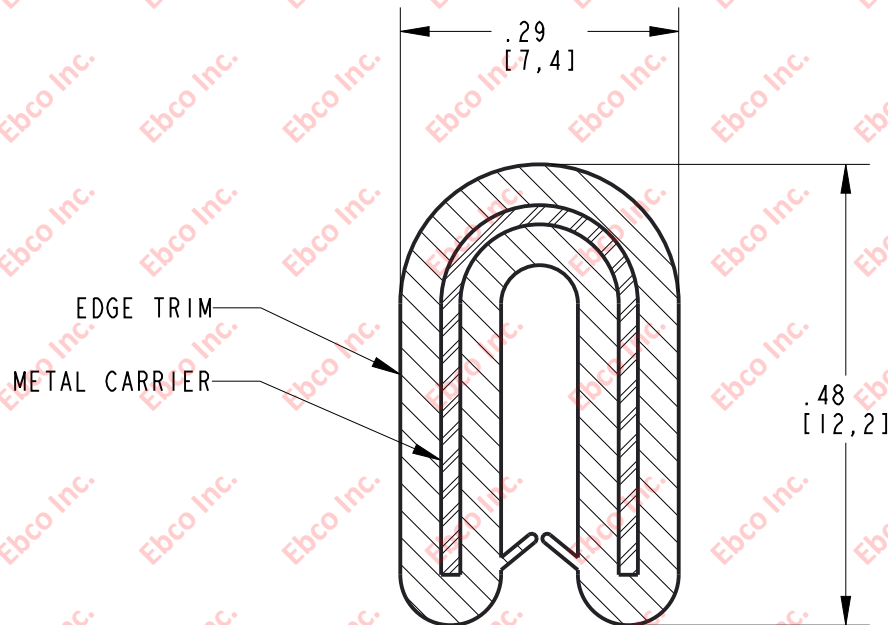


ET110

DRG NO.

B

A



CLAMPING RANGE: .02 [.60] - .06 [1.47]
 EDGE TRIM: DENSE EPDM
 METAL CARRIER: STEEL



TITLE: ET110		
THE INFORMATION CONTAINED IN THIS DRAWING IS THE SOLE PROPERTY OF EBCO ANY REPRODUCTION IN PART OR AS A WHOLE WITHOUT THE WRITTEN PERMISSION OF EBCO IS PROHIBITED.		
TOLERANCES PER RMA STANDARD E3	REV. A	DATE: 06-22-17 UNITS: INCH [MM]
1330 HOLMES RD. ELGIN, IL 60123		
SPECIFICATIONS SUBJECT TO CHANGE		

2