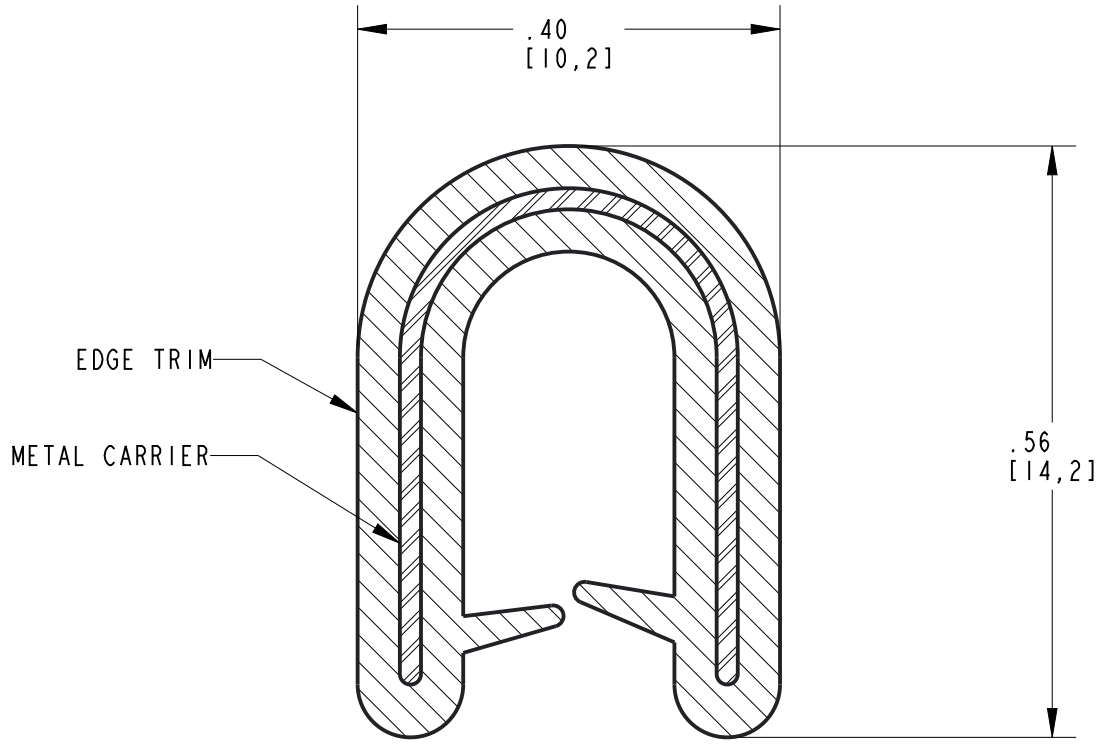


ET100

DWG. NO.




EDGE TRIM

METAL CARRIER

.40  
[10,2]

.56  
[14,2]

CLAMPING RANGE: .09 [2.27] - .16 [3.96]  
EDGE TRIM: DENSE EPDM  
METAL CARRIER: STEEL

	TITLE: ET100	
	<small>THE INFORMATION CONTAINED IN THIS DRAWING IS THE SOLE PROPERTY OF EBSCO ANY REPRODUCTION IN PART OR AS A WHOLE WITHOUT THE WRITTEN PERMISSION OF EBSCO IS PROHIBITED.</small>	
	TOLERANCES PER RMA STANDARD E3	REV. B
	DATE: 06-02-17	UNITS: INCH [MM]
1330 HOLMES RD. ELGIN, IL 60123		
SPECIFICATIONS SUBJECT TO CHANGE		