

ES400

DWG. NO.

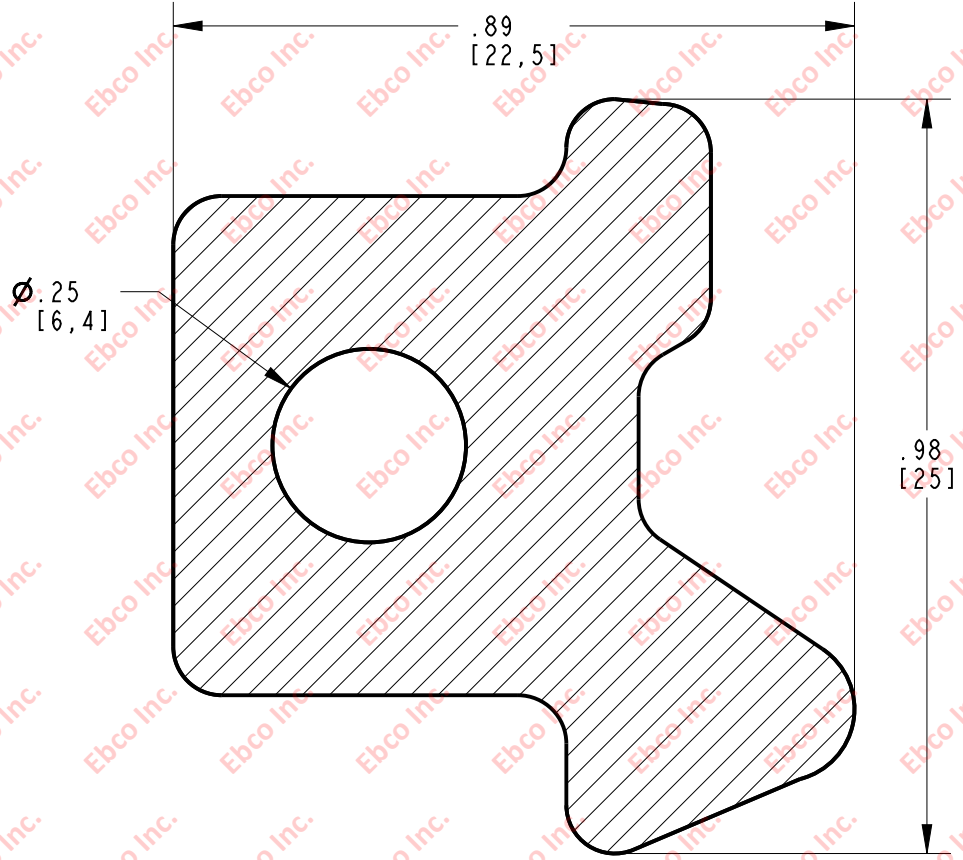
2

B

A


B

A



MATERIAL: SPONGE EPDM

2

	TITLE: ES400	
	<small>THE INFORMATION CONTAINED IN THIS DRAWING IS THE SOLE PROPERTY OF EBCO ANY REPRODUCTION IN PART OR AS A WHOLE WITHOUT THE WRITTEN PERMISSION OF EBCO IS PROHIBITED.</small>	
	TOLERANCES PER RMA STANDARD BEC2	REV. A
	DATE: 06-17-20	UNITS: INCH [MM]
1330 HOLMES RD. ELGIN, IL 60123		SPECIFICATIONS SUBJECT TO CHANGE