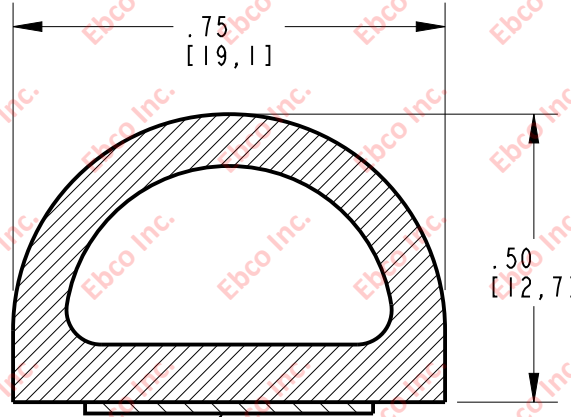


ES314

DMG NO.



PSA TAPE

MATERIAL: SPONGE EPDM

	TITLE: ES314	
	<small>THE INFORMATION CONTAINED IN THIS DRAWING IS THE SOLE PROPERTY OF EBCO ANY REPRODUCTION IN PART OR AS A WHOLE WITHOUT THE WRITTEN PERMISSION OF EBCO IS PROHIBITED.</small>	
	TOLERANCES PER RMA STANDARD BEC2	REV. B
	DATE: 06-11-20	UNITS: INCH [MM]
1330 HOLMES RD. ELGIN, IL 60123		SPECIFICATIONS SUBJECT TO CHANGE