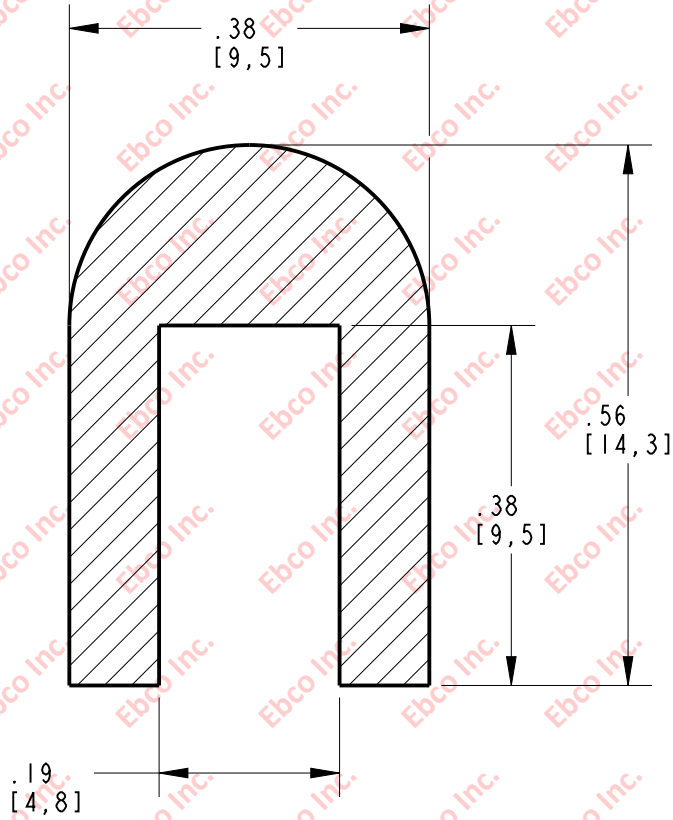


ER114

DWG. NO.


B

A



MATERIAL: DENSE NEOPRENE

2

|  |  |                  |
|--|--|------------------|
| <br><b>EbcO</b> | TITLE: ER114   |                  |
|  | THE INFORMATION CONTAINED IN THIS DRAWING IS THE SOLE PROPERTY OF EBCO. ANY REPRODUCTION IN PART OR AS A WHOLE WITHOUT THE WRITTEN PERMISSION OF EBCO IS PROHIBITED. |                  |
|  | TOLERANCES PER RMA STANDARD E3   | REV. <b>A</b>    |
|  | DATE: 06-09-20   | UNITS: INCH [MM] |
| 1330 HOLMES RD. ELGIN, IL 60123  |  |                  |
| SPECIFICATIONS SUBJECT TO CHANGE   |  |                  |