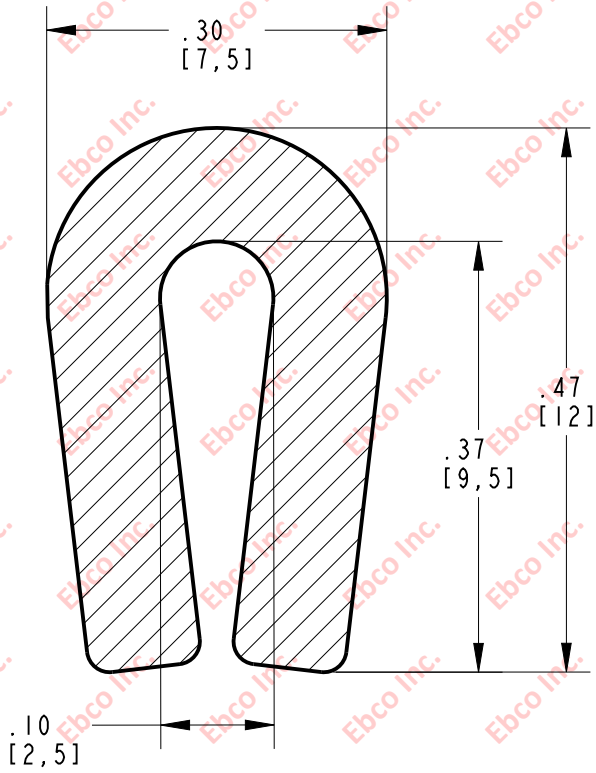


ER102

DWG. NO.

B

A



MATERIAL: DENSE EPDM

2



| | | |
|--|--------|------------------|
| TITLE: ER102 | | |
| THE INFORMATION CONTAINED IN THIS DRAWING IS THE SOLE PROPERTY OF EBCO. ANY REPRODUCTION IN PART OR AS A WHOLE WITHOUT THE WRITTEN PERMISSION OF EBCO IS PROHIBITED. | | |
| TOLERANCES PER RMA STANDARD E3 | REV. B | DATE: 06-09-20 |
| | | UNITS: INCH [MM] |
| 1330 HOLMES RD. ELGIN, IL 60123 | | |

SPECIFICATIONS SUBJECT TO CHANGE

B

A

2