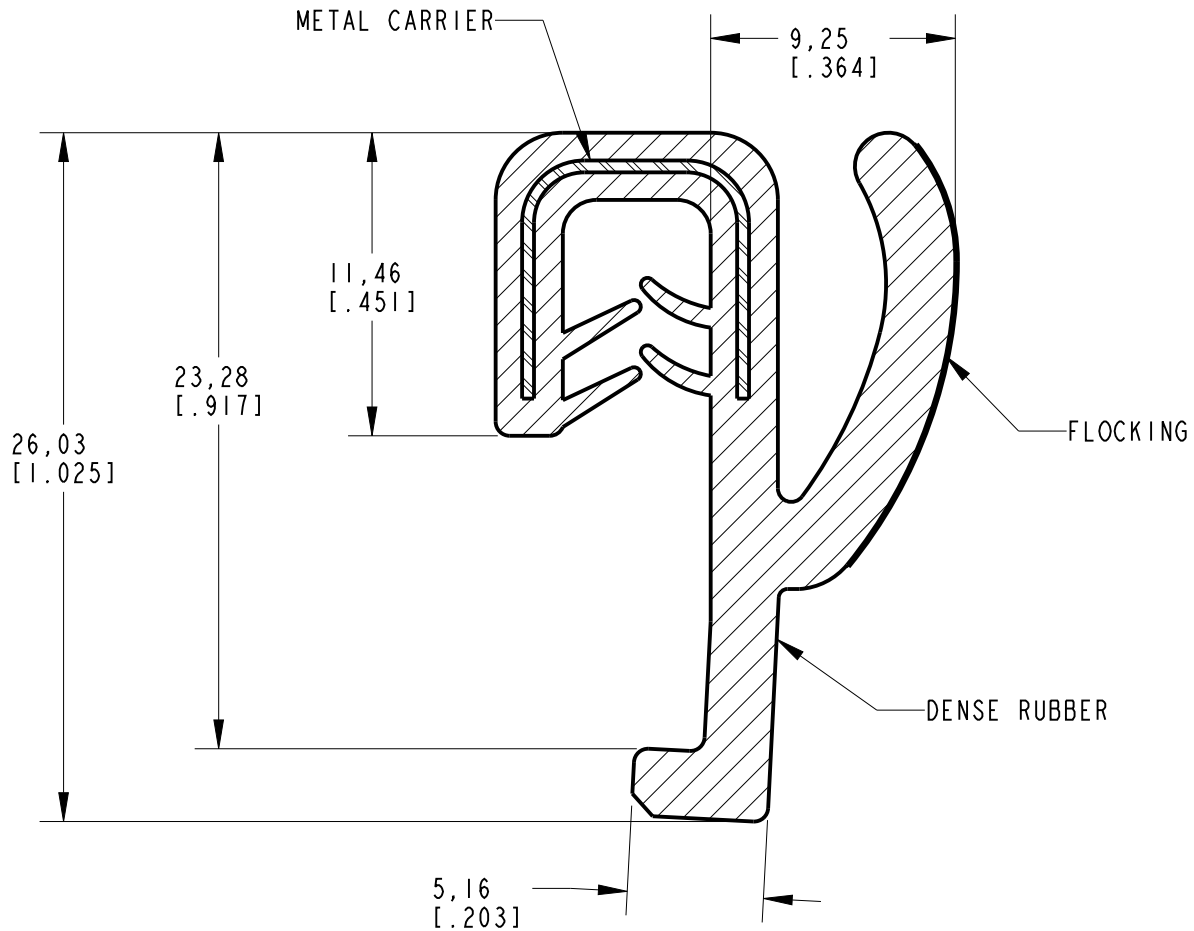



EF421

DWG. NO.



CLAMP RANGE: --- TO ---
 MATERIAL: DENSE EPDM
 METAL CARRIER: STEEL

| | | |
|---|--|------------------|
|  | TITLE: EF 421 | |
| | <small>THE INFORMATION CONTAINED IN THIS DRAWING IS THE SOLE PROPERTY OF EBCO ANY REPRODUCTION IN PART OR AS A WHOLE WITHOUT THE WRITTEN PERMISSION OF EBCO IS PROHIBITED.</small> | |
| | TOLERANCES PER RMA STANDARD A3 | REV. A |
| | DATE: 02-23-23 | UNITS: mm [INCH] |
| 1330 HOLMES RD. ELGIN, IL 60123 | | |
| SPECIFICATIONS SUBJECT TO CHANGE | | |