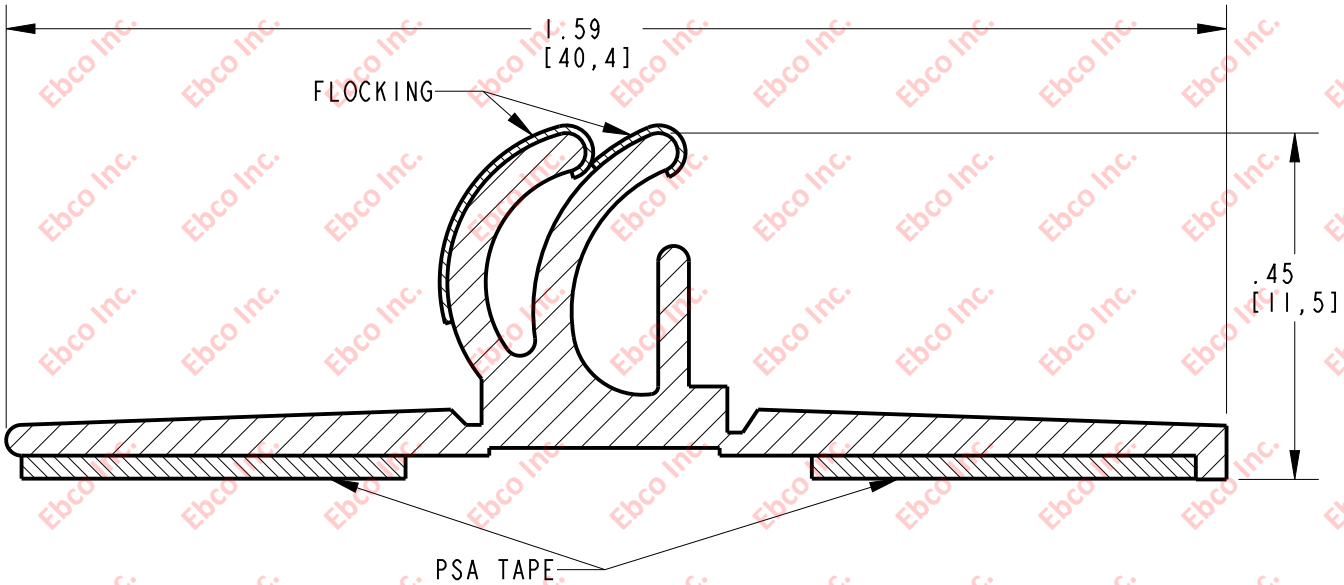



EF410

DRG NO.



MATERIAL: DENSE EPDM

| | | |
|--|---|------------------|
|  Ebco | TITLE: EF410 | |
| | THE INFORMATION CONTAINED IN THIS DRAWING IS THE SOLE PROPERTY OF EBCO ANY REPRODUCTION IN PART OR AS A WHOLE WITHOUT THE WRITTEN PERMISSION OF EBCO IS PROHIBITED. | |
| | TOLERANCES PER RMA STANDARD E3 | REV. A |
| | DATE: 06-12-20 | UNITS: INCH [MM] |
| 1330 HOLMES RD. ELGIN, IL 60123 | | |
| SPECIFICATIONS SUBJECT TO CHANGE | | |