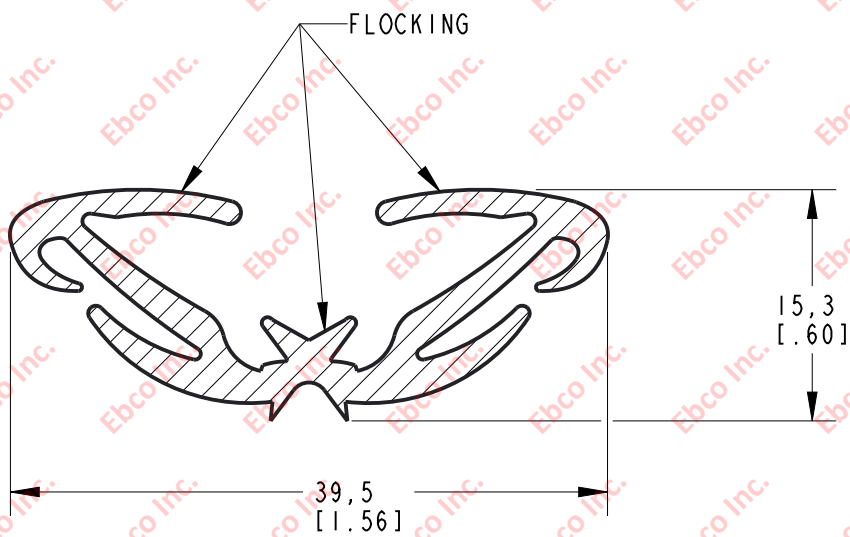


2
EF301

DWG. NO.


B



A

MATERIAL: DENSE EPDM

2

 EbcO	TITLE: EF 301	
	THE INFORMATION CONTAINED IN THIS DRAWING IS THE SOLE PROPERTY OF EBCO. ANY REPRODUCTION IN PART OR AS A WHOLE WITHOUT THE WRITTEN PERMISSION OF EBCO IS PROHIBITED.	
	TOLERANCES PER RMA STANDARD E3	REV. A
	DATE: 06-07-22 UNITS: mm [INCH]	
1330 HOLMES RD. ELGIN, IL 60123		
SPECIFICATIONS SUBJECT TO CHANGE		