

2

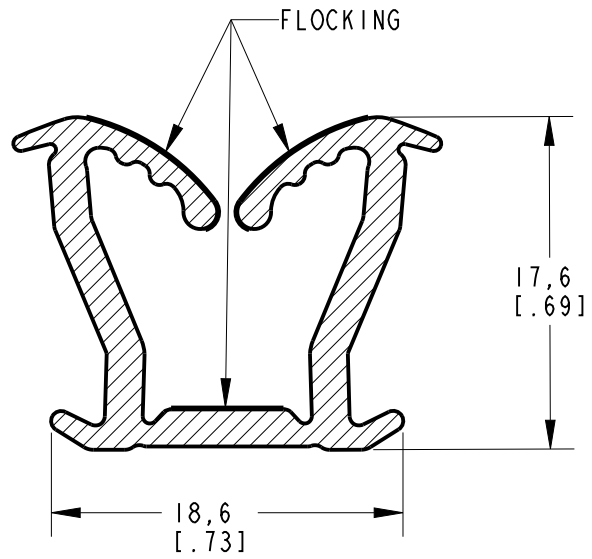
|

EF170

DWG. NO.

B

B




A

A

MATERIAL: DENSE EPDM

2

| | | | |
|---|--|-----------|------------------------------------|
|  | TITLE: EF170 | | |
| | <small>THE INFORMATION CONTAINED IN THIS DRAWING IS THE SOLE PROPERTY OF EBCO ANY REPRODUCTION IN PART OR AS A WHOLE WITHOUT THE WRITTEN PERMISSION OF EBCO IS PROHIBITED.</small> | | |
| | TOLERANCES PER RMA STANDARD A3 | REV. A | DATE: 10-21-22 UNITS: mm [INCH] |
| | 1330 HOLMES RD. ELGIN, IL 60123 | | |
| SPECIFICATIONS SUBJECT TO CHANGE | | | |