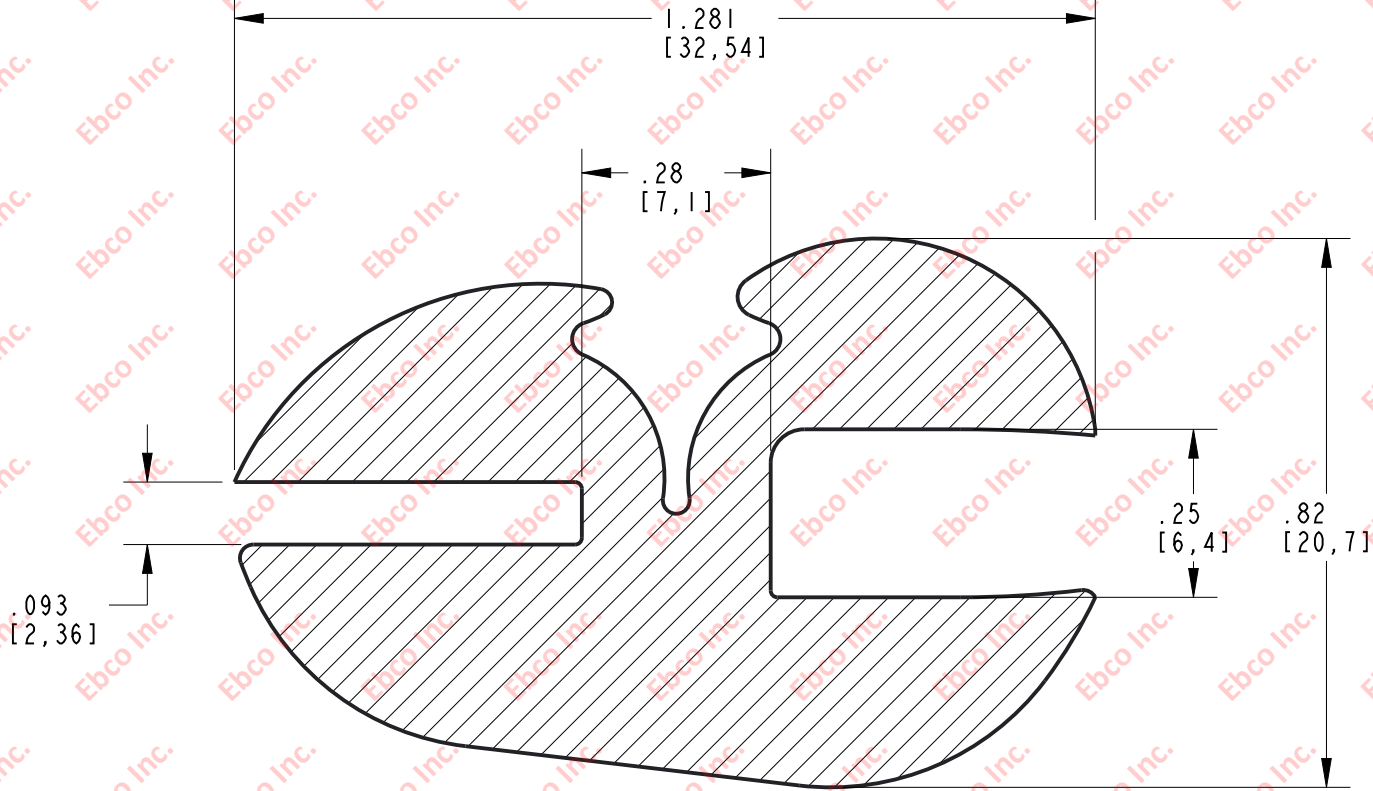


WC135

DWG. NO.


B

A



MATERIAL: DENSE EPDM

2

|  |  |        |
|--|--|--------|
| <br><b>EbcO</b> | TITLE: WC135   |        |
|  | THE INFORMATION CONTAINED IN THIS DRAWING IS THE SOLE PROPERTY OF EBCO. ANY REPRODUCTION IN PART OR AS A WHOLE WITHOUT THE WRITTEN PERMISSION OF EBCO IS PROHIBITED. |        |
|  | TOLERANCES PER RMA STANDARD E3   | REV. A |
|  | DATE: 05-04-18<br>UNITS: INCH [MM]   |        |
| 1330 HOLMES RD. ELGIN, IL 60123  |  |        |
| SPECIFICATIONS SUBJECT TO CHANGE   |  |        |