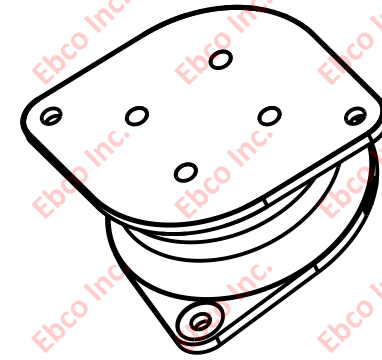
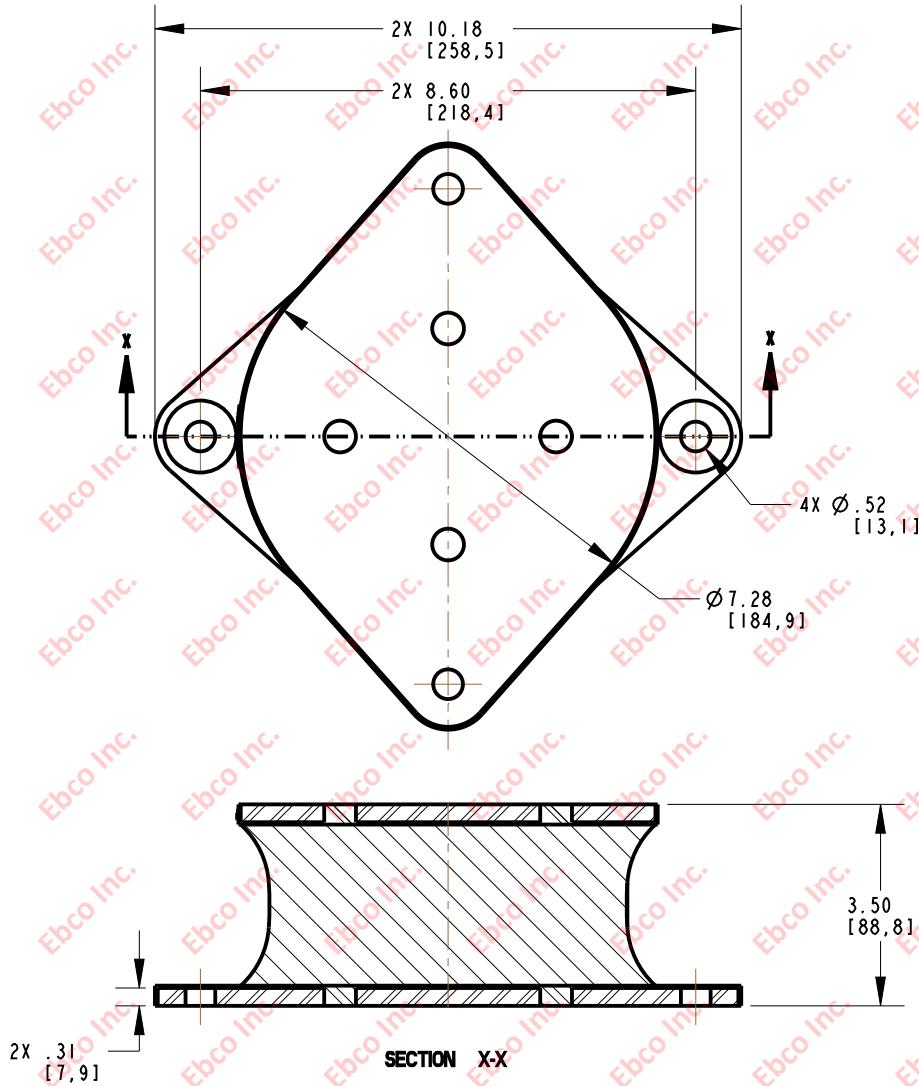


6836



SPECIFICATIONS

PART NUMBER	MAX. RECOMMENDED LOAD	RADIAL STIFFNESS
NATURAL RUBBER	LBS	LBS/IN
6836-73	750	1300
6836-74	950	1600
6836-75	1100	1900



TITLE: 6836		
THE INFORMATION CONTAINED IN THIS DRAWING IS THE SOLE PROPERTY OF EBCO ANY REPRODUCTION IN PART OR AS A WHOLE WITHOUT THE WRITTEN PERMISSION OF EBCO IS PROHIBITED.		
TOLERANCES PER RMA STANDARD A3	REV. A	DATE: 07-07-15
		UNITS INCH [MM]
1330 HOLMES RD. ELGIN, IL 60123		

SPECIFICATIONS SUBJECT TO CHANGE