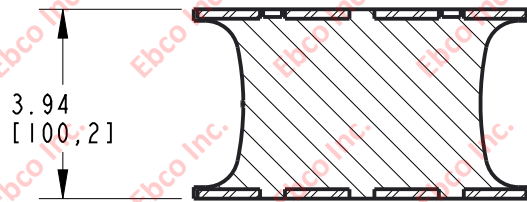
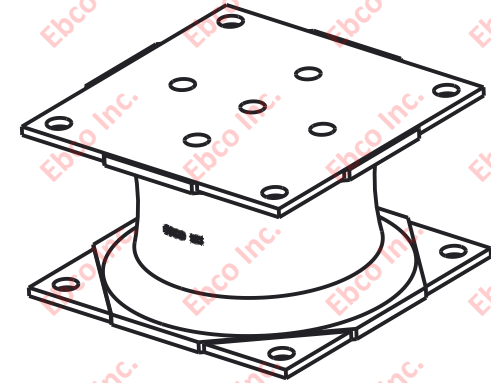
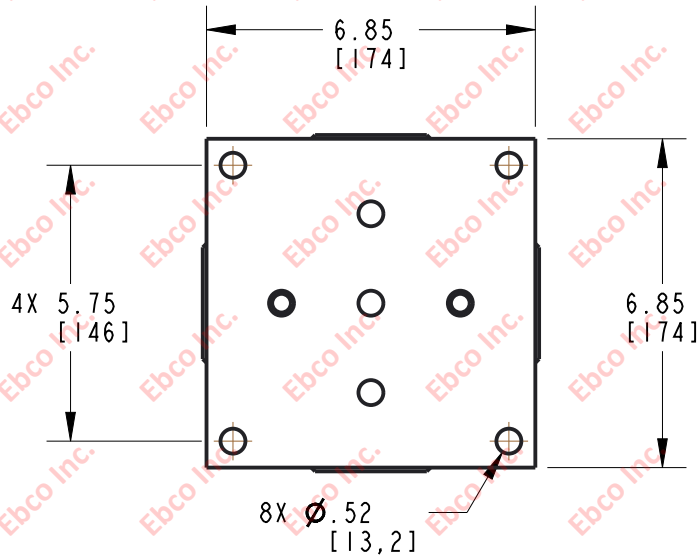


6808



SPECIFICATIONS

PART NUMBER	MAX RECOMMENDED LOAD	RADIAL STIFFNESS
NATURAL RUBBER	LBS	LBS/IN
6808-75	950	950



TITLE: 6808

THE INFORMATION CONTAINED IN THIS DRAWING IS THE SOLE PROPERTY OF EBSCO ANY REPRODUCTION IN PART OR AS A WHOLE WITHOUT THE WRITTEN PERMISSION OF EBSCO IS PROHIBITED.

TOLERANCES PER RMA STANDARD A3	REV. A	DATE: 08-28-18
		UNITS: INCH [MM]

1330 HOLMES RD. ELGIN, IL 60123

SPECIFICATIONS SUBJECT TO CHANGE