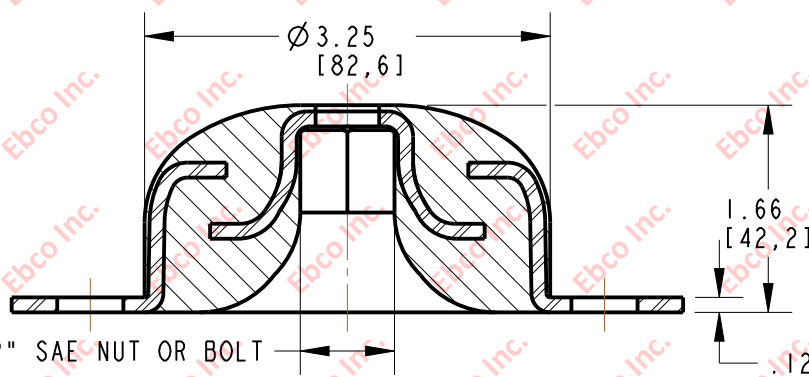
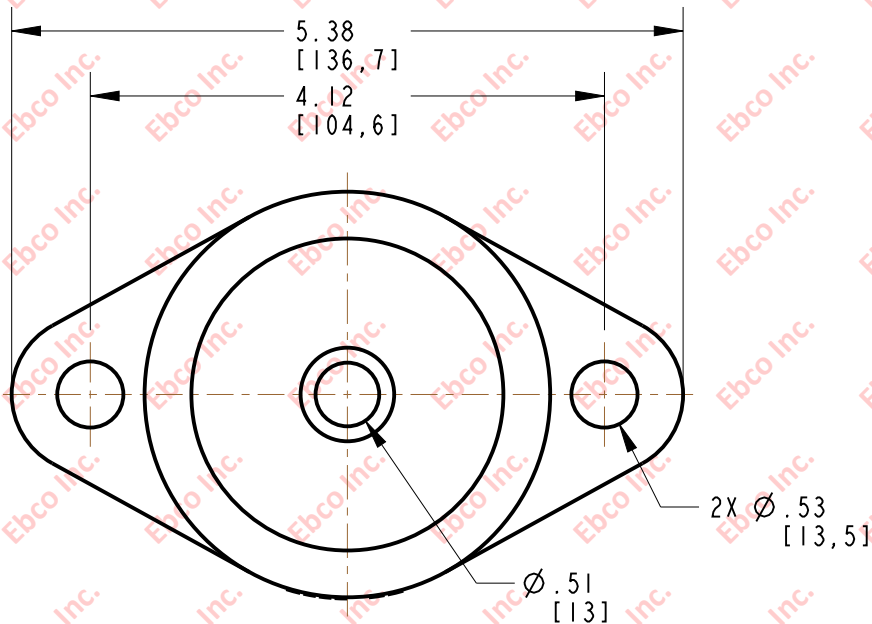
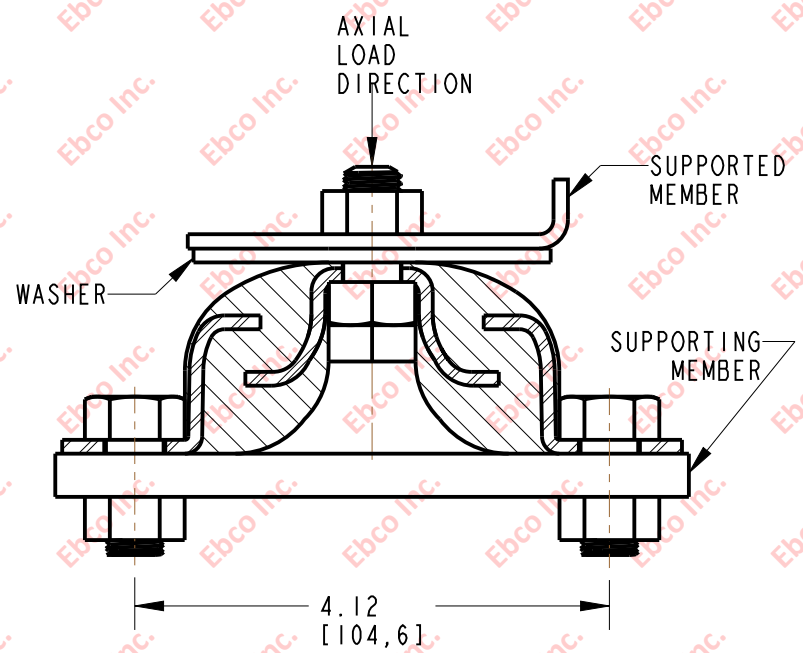


4610



INSTALLATION VIEW (Shown under no load)



SPECIFICATIONS

PART NUMBER		MAX. AXIAL DEFLECTION		MAX. AXIAL LOAD	
NATURAL RUBBER	NEOPRENE	i n	mm	lb	N
4610-700	4610-800	0.125	3.18	280	1246
4610-71	4610-81			425	1891
4610-72	4610-82			500	2225
4610-73	4610-83			625	2780
4610-74	4610-84			775	3449
4610-75	4610-85			950	4227
4610-76	4610-86			1200	5338
4610-77	4610-87			1450	6450



TITLE: 4610	
THE INFORMATION CONTAINED IN THIS DRAWING IS THE SOLE PROPERTY OF EBSCO ANY REPRODUCTION IN PART OR AS A WHOLE WITHOUT THE WRITTEN PERMISSION OF EBSCO IS PROHIBITED.	
TOLERANCES PER RMA STANDARD A3	REV. F
DATE: 03-05-18	UNITS: INCH [MM]
1330 HOLMES RD. ELGIN, IL 60123	

SPECIFICATIONS SUBJECT TO CHANGE