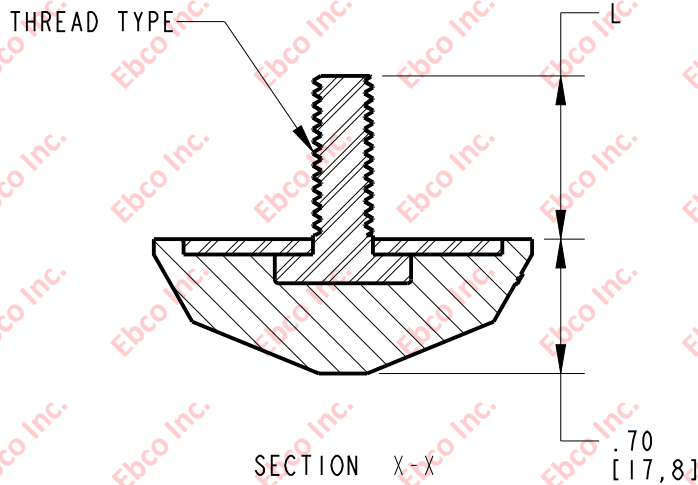
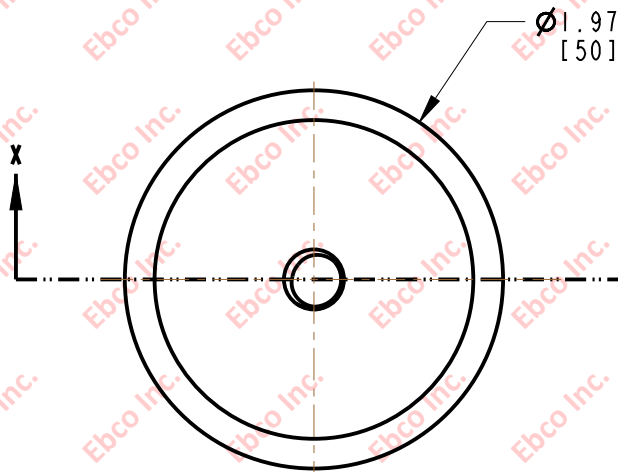


1102



HARDWARE SPECIFICATIONS

PART NO.	THREAD TYPE	L
1102-XX-F7	5/16-18	.85 [21.6]
1102-XX-H9	3/8-16	1.10 [27.9]

AXIAL COMPRESSION SPECIFICATIONS

PART NUMBER		REF MAX. RECOMMENDED STATIC LOAD		REFERENCE STIFFNESS	
NATURAL RUBBER	NEOPRENE	lb	N	lb/in	N/mm
1102-72-XX	1102-82-XX	19	85	271	47

TITLE: 1102

THE INFORMATION CONTAINED IN THIS DRAWING IS THE SOLE PROPERTY OF EBCO ANY REPRODUCTION IN PART OR AS A WHOLE WITHOUT THE WRITTEN PERMISSION OF EBCO IS PROHIBITED.

TOLERANCES PER RMA STANDARD A3	REV. C	DATE: 03-04-19
		UNITS: INCH [MM]

1330 HOLMES RD. ELGIN, IL 60123

SPECIFICATIONS SUBJECT TO CHANGE